

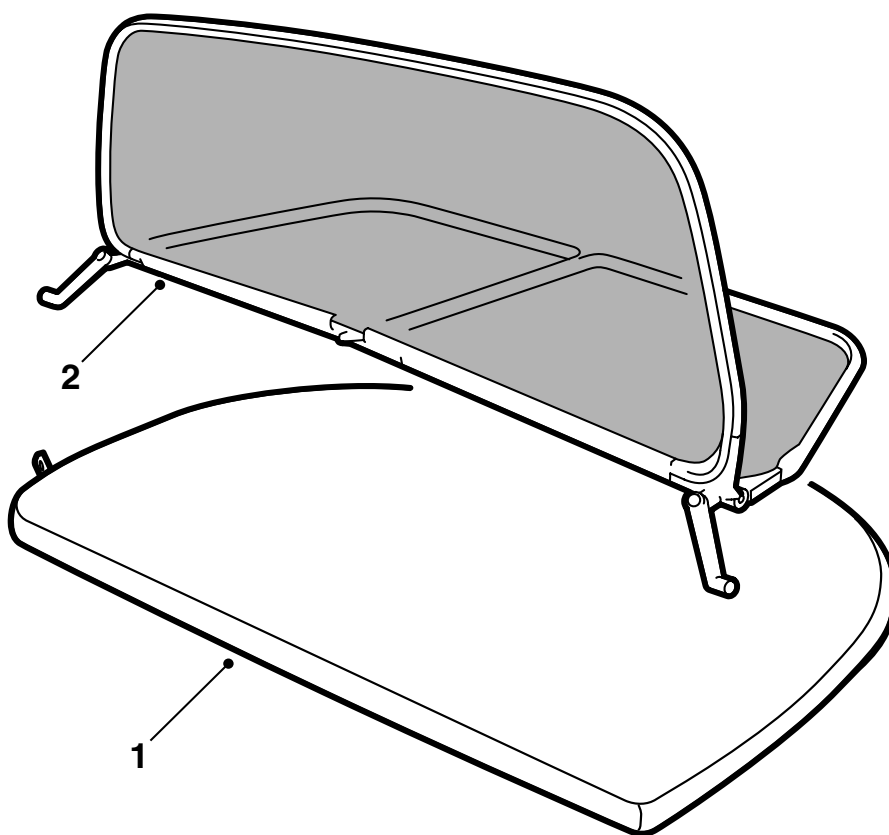


MONTERINGSANVISNING · INSTALLATION INSTRUCTIONS  
MONTAGEANLEITUNG · INSTRUCTIONS DE MONTAGE

## Saab 9-3 CV M04-

### Wind deflector

Accessories Part No.	Group	Date	Instruction Part No.	Replaces
12 831 370	9:84-26	Apr 03	12 833 880	



F980A267

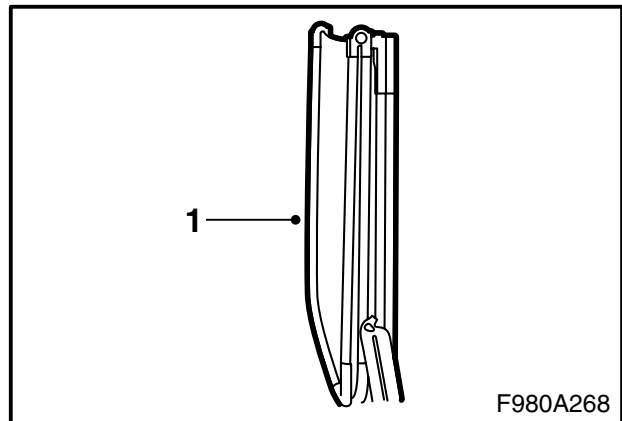
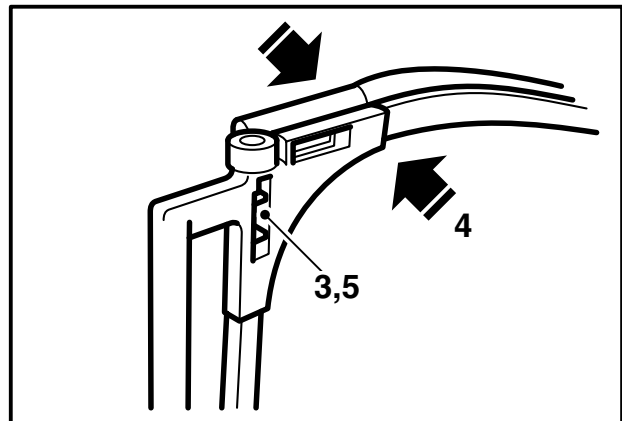
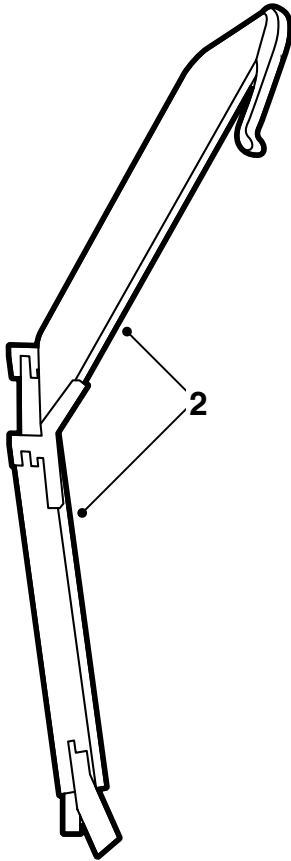
1 Bag

2 Wind deflector

To fit, see page 2

To remove, see page 3

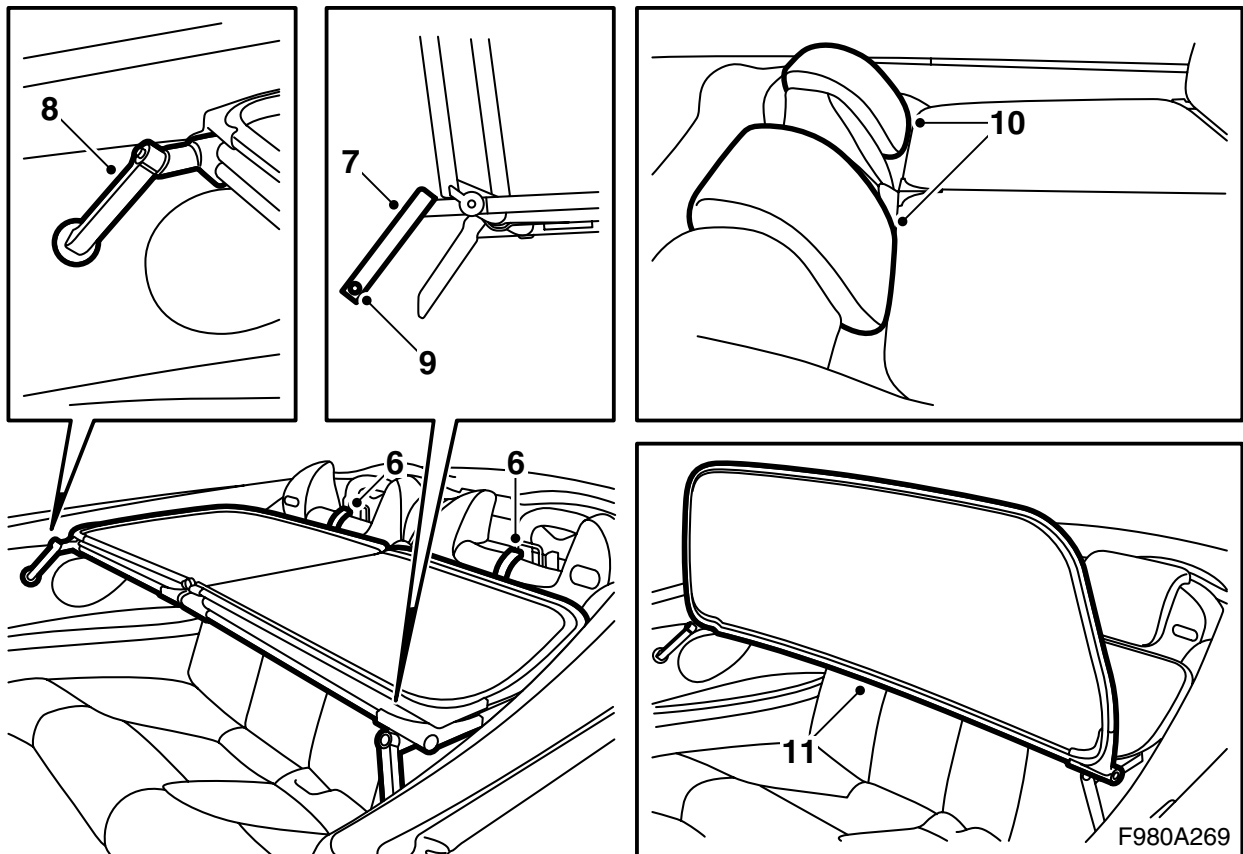
To clean, see page 3



F980A268

**To fit**

- 1 Take the wind deflector out from the storage bag.
- 2 Open the wind deflector's top and bottom frame.
- 3 Press the pin inward towards the spring.
- 4 Press the frame together.
- 5 Carefully release the pin so that it enters the hole. Check that the frame sections are held together.



- 6 Pull up the rear head restraints to the top position and push the wind deflector rear holder in to the rear seat back rests.
- 7 Press the two levers inwards, to the springs.
- 8 Fit the wind deflector levers into the holes in the rear side trims. Check that the levers have engaged properly.
- 9 Check that there is no play in the wind deflector front attachment points. Adjust if necessary using the two screws in the ends of the levers.
- 10 Press down both of the rear head restraints to their bottom position.

### Important

The head restraints must be in the bottom position when the wind deflector is used as the head restraints secure the wind deflector rear attachments.

- 11 Fold up the top frame so that it engages in the end position. Move the front seats to the correct position.

### Important

Do not adjust the front seat back rests so much that they rest against the wind deflector.

### To remove

Pull up the rear head restraints to the top position. Remove the wind deflector levers from the holes in the rear side trims. Pull the wind deflector forwards from the rear seat head restraints and lift it from the car. Press the pin inward towards the spring, so that the frame sections can be pulled apart. Carefully release the pin. Fold the wind deflector's top and bottom frame together. Guide the wind deflector into the storage bag.

### Important

Always store the wind deflector in the bag when it is not being used.

### To clean

Use a linen cloth and a soap solution. Press carefully on the perforated plastic wrap.

### Important

Never use benzine or other solvents.