

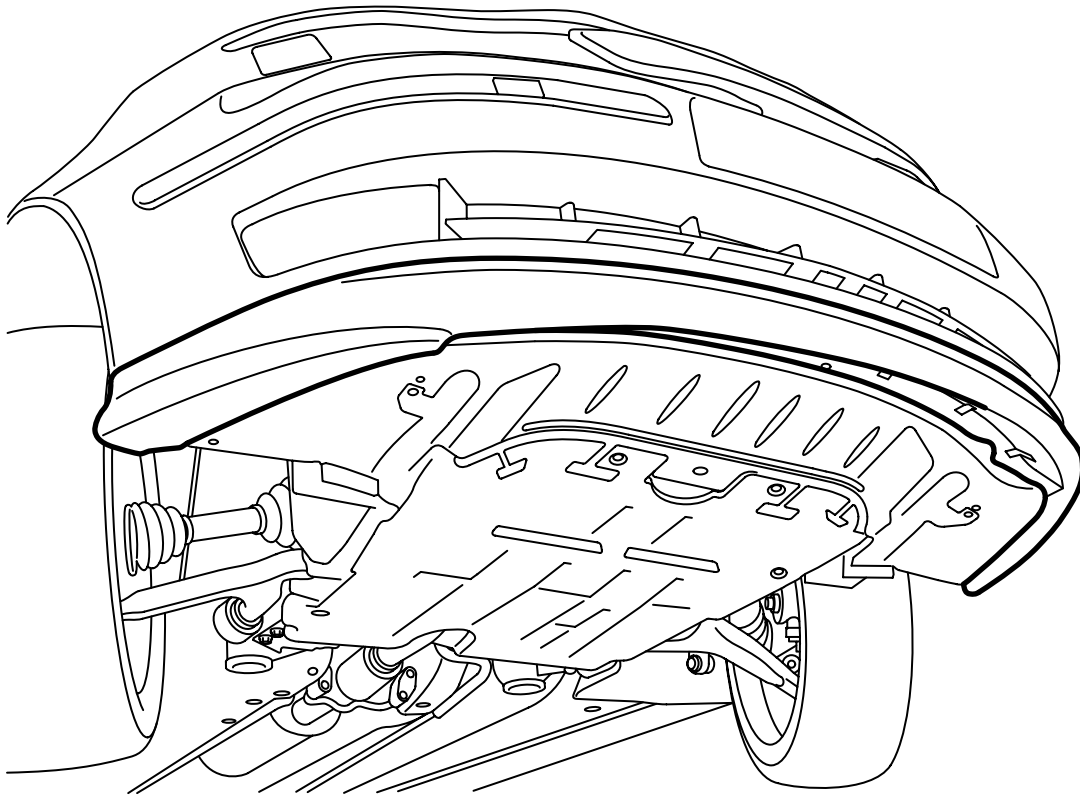


**MONTERINGSANVISNING · INSTALLATION INSTRUCTIONS
MONTAGEANLEITUNG · INSTRUCTIONS DE MONTAGE**

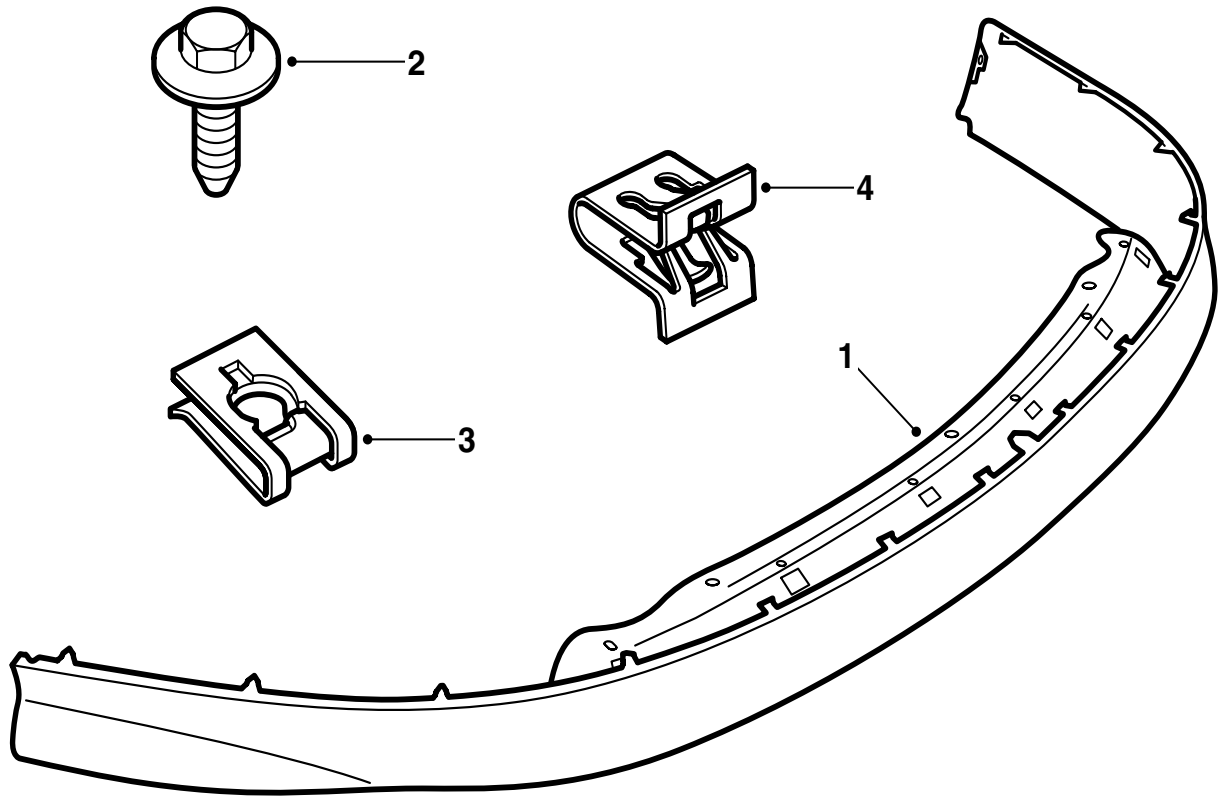
Saab 9-3 M03-

Front spoiler

| Accessories Part No. | Group | Date | Instruction Part No. | Replaces |
|----------------------|---------|--------|----------------------|----------|
| 12 801 650 | 9:84-25 | Dec 02 | 12 801 970 | |

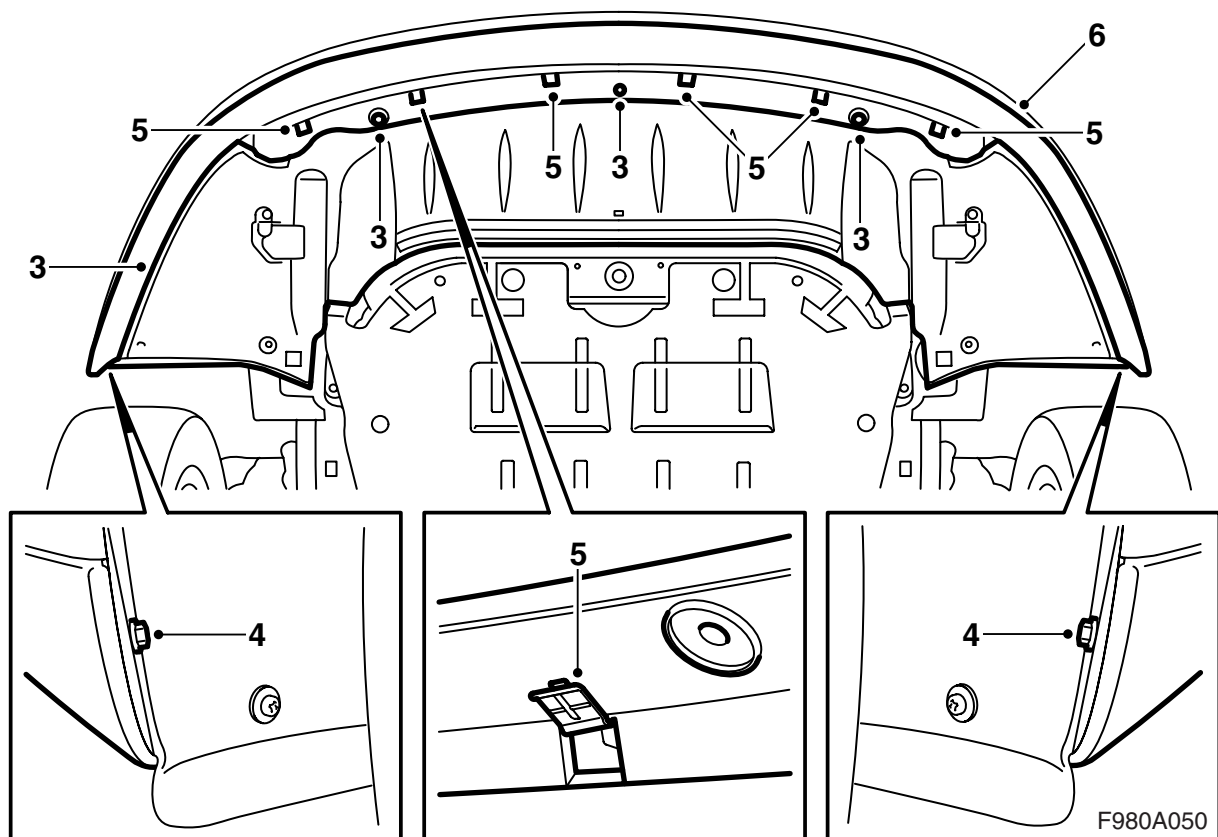


F980A048



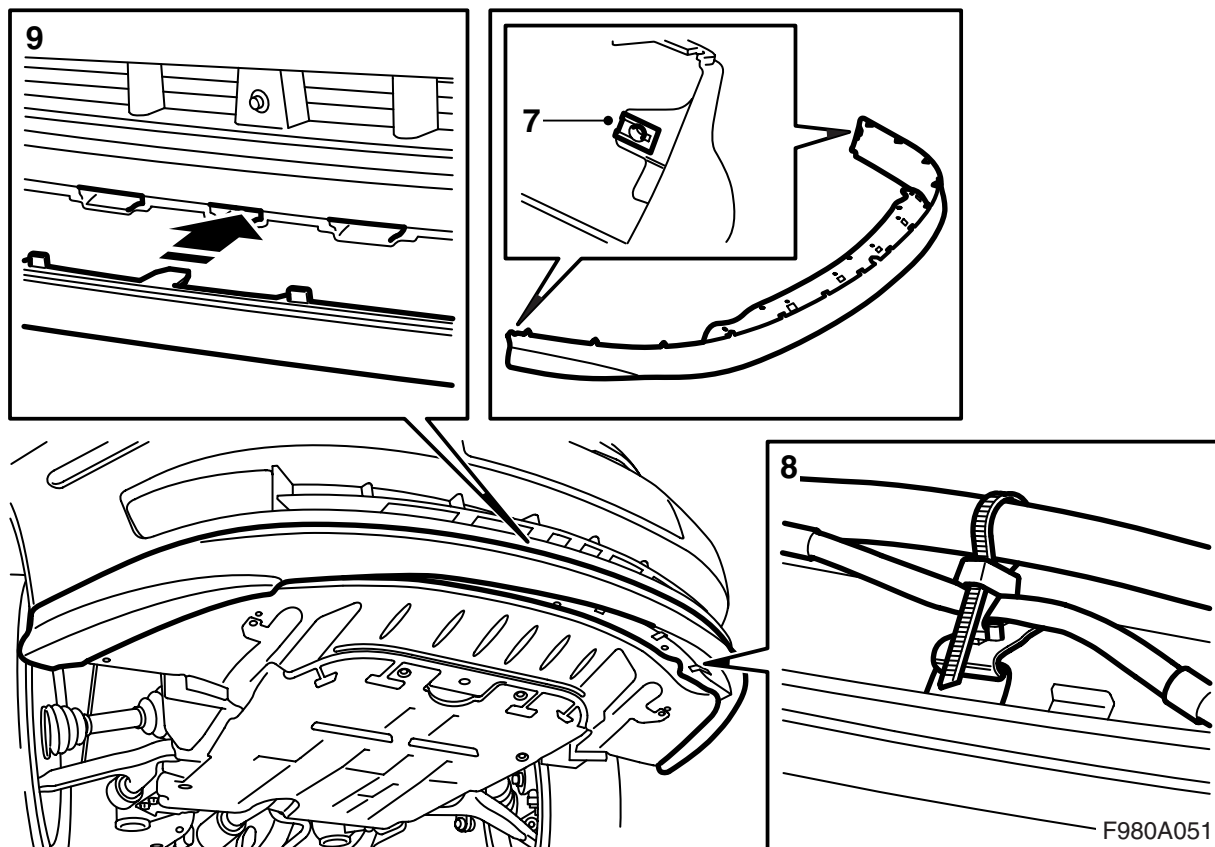
F980A049

- 1 Spoiler
- 2 Screw with washer (x5)
- 3 Clip nut (x2)
- 4 Clips

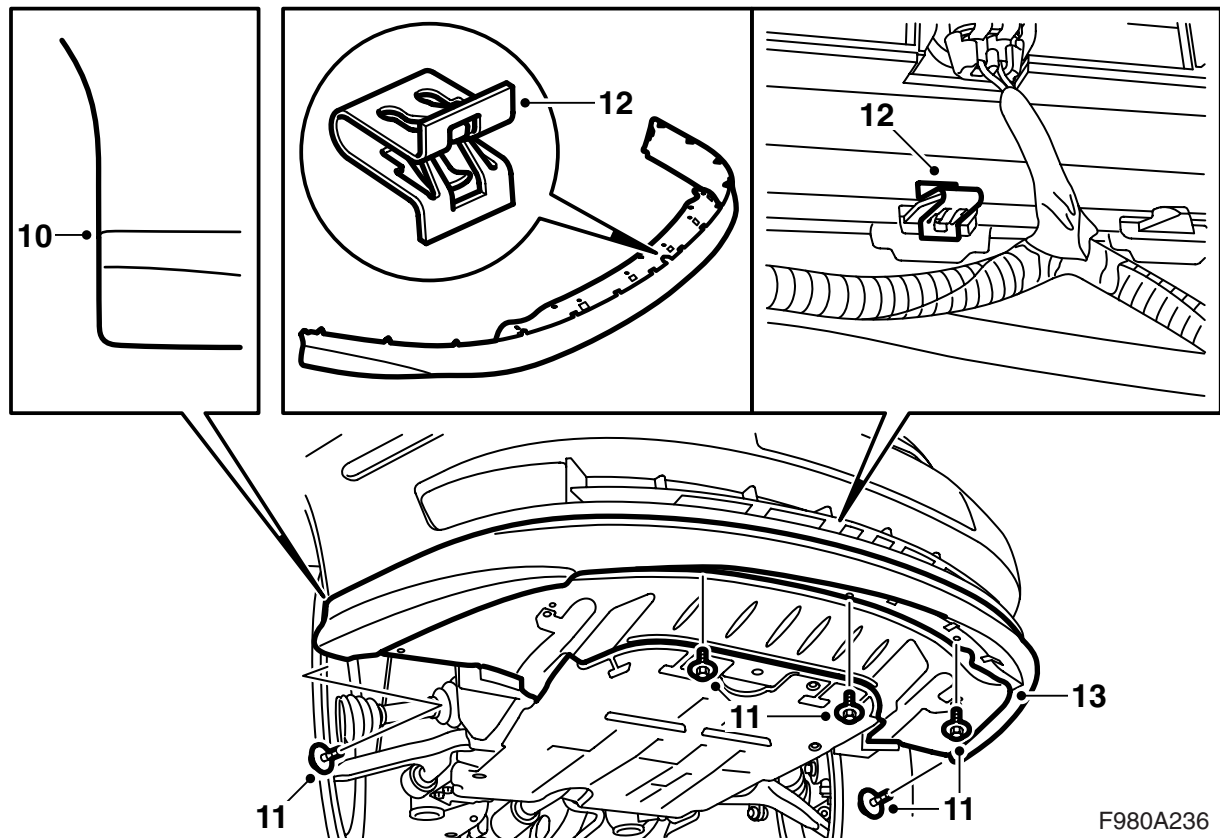


The spoiler has been treated with grey primer and is ready for painting.

- 1 Paint the spoiler the same colour as the body. Refer to "Instructions for painting primed PP/EPDM plastic" in this document.
- 2 Raise the car.
- 3 Remove the spoiler shield, unplug the bumper connector and remove it from the holder on the spoiler shield.
Cars with headlamp washers: Unhook the hose from the spoiler shield.
- 4 Remove the screws from the spoiler, one by each wheel housing and three from below.
- 5 Prise off the fasteners holding the spoiler wiring harness by pressing them forward.
- 6 Pull off the bottom portion of the bumper.



- 7 Fit the clip nuts to the spoiler.
- 8 Lift up the spoiler and fit the wiring harness fasteners to the holes in the spoiler.
- 9 Insert the guides on the spoiler into the bumper and press home the spoiler's catches, starting in the middle and working outwards.



10 Check the alignment of the rear edges of the spoiler and the wheel housings.

11 Fit the screws to secure spoiler.

12 Fit the clip onto the spoiler guide tab.

13 Lift up the spoiler shield, fit the bumper connector into the holder and plug in the connector.

Cars with headlamp washers: Hook the hose to the spoiler shield.

All: Fit the spoiler shield.

14 Lower the car.

15 **Cars with headlamp washers:** Check the function of the headlamp washers.

Directions for painting preprimed PP/EPDM plastic

- The spoiler must be placed where it will not be deformed while painting.
- The temperature must not exceed +40°C (104°F).
- The spoiler is pre-primed on delivery
- Use clean gloves when handling the spoiler

Drying times

70 minutes at 40°C (104°F).

Preparations

- Smooth off the primed surface thoroughly. Use abrasive paper 3M 1200 or 800.