

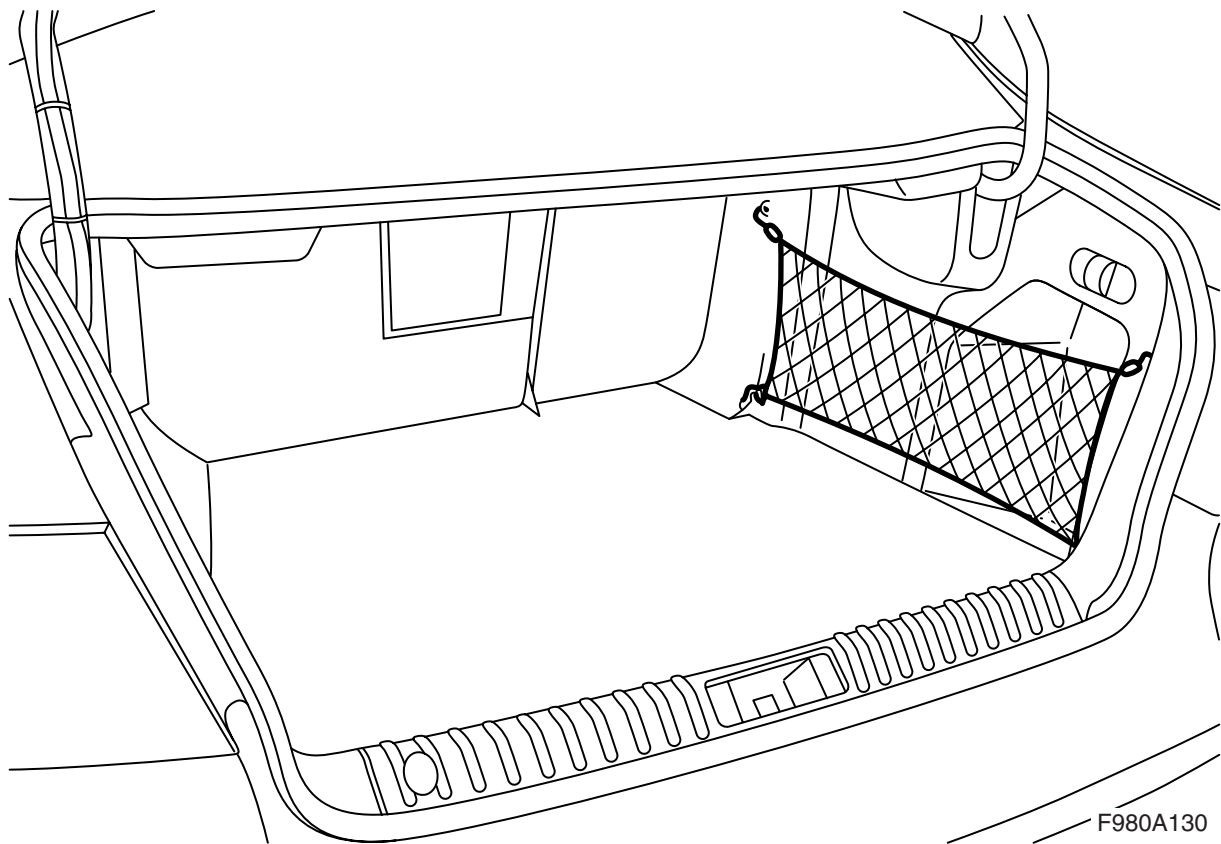


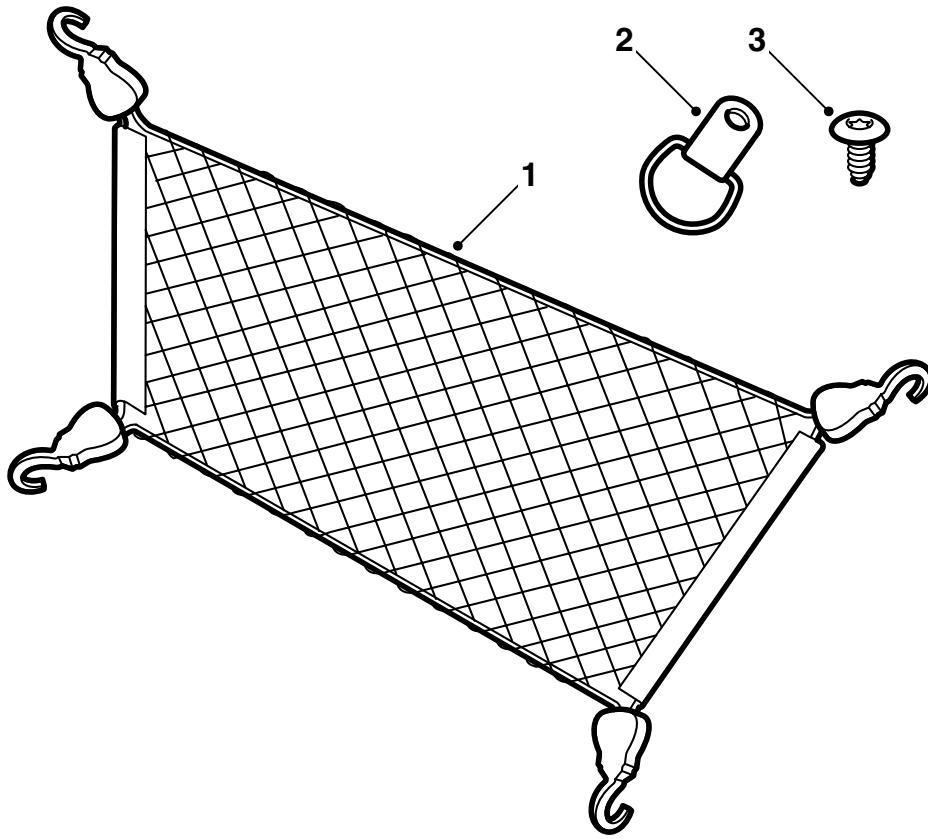
**MONTERINGSANVISNING · INSTALLATION INSTRUCTIONS  
MONTAGEANLEITUNG · INSTRUCTIONS DE MONTAGE**

**Saab 9-3 M03-, Saab 9-5 5D**

Side-mounted cargo net

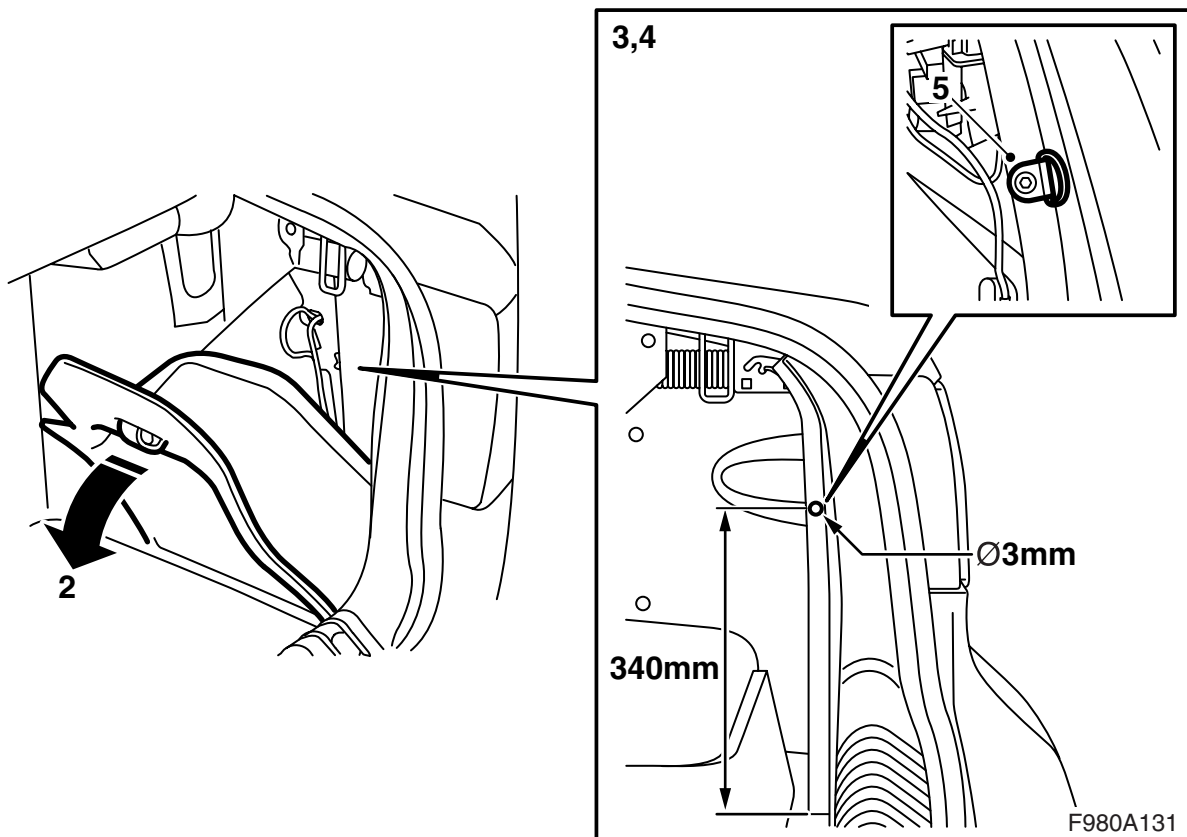
Accessories Part No.	Group	Date	Instruction Part No.	Replaces
<b>12 798 233</b> <b>400 111 811</b>	<b>9:89-14</b>	<b>May 02</b>	<b>12 798 740</b> <b>(86 90 075)</b>	<b>86 90 075 Aug 98</b>





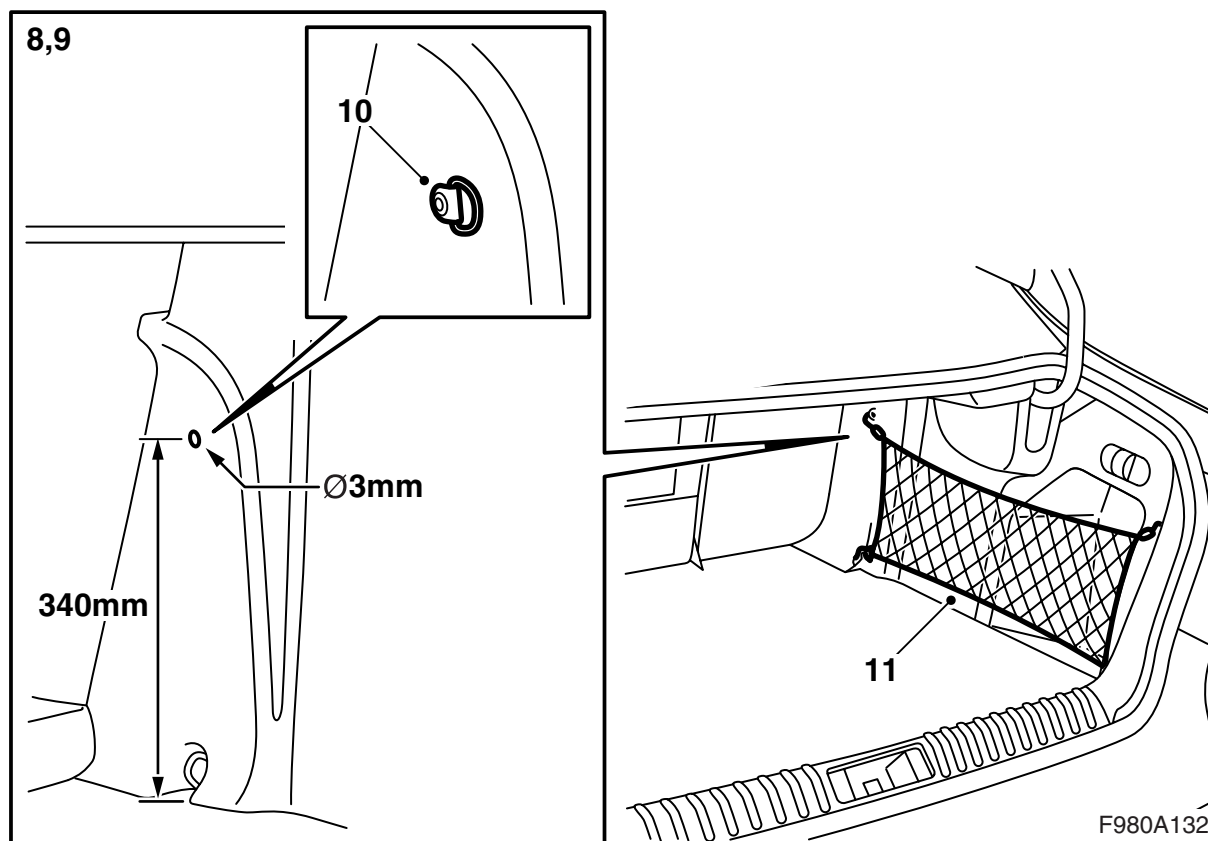
- 1 Cargo net
- 2 D-ring (x2)
- 3 Screw (x2)

E980A114



### Saab 9-3 M03-

- 1 Open the boot lid.
- 2 Lower the hatch in the right-hand side trim of the luggage compartment.
- 3 Mark the position of the hole in the right-hand side trim 340 mm above the lower edge of the side scuff plate.
- 4 Use a 3 mm bit to drill a hole in the side scuff plate.
- 5 Mount the D-ring.
- 6 Close the hatch in the right-hand side trim of the luggage compartment.

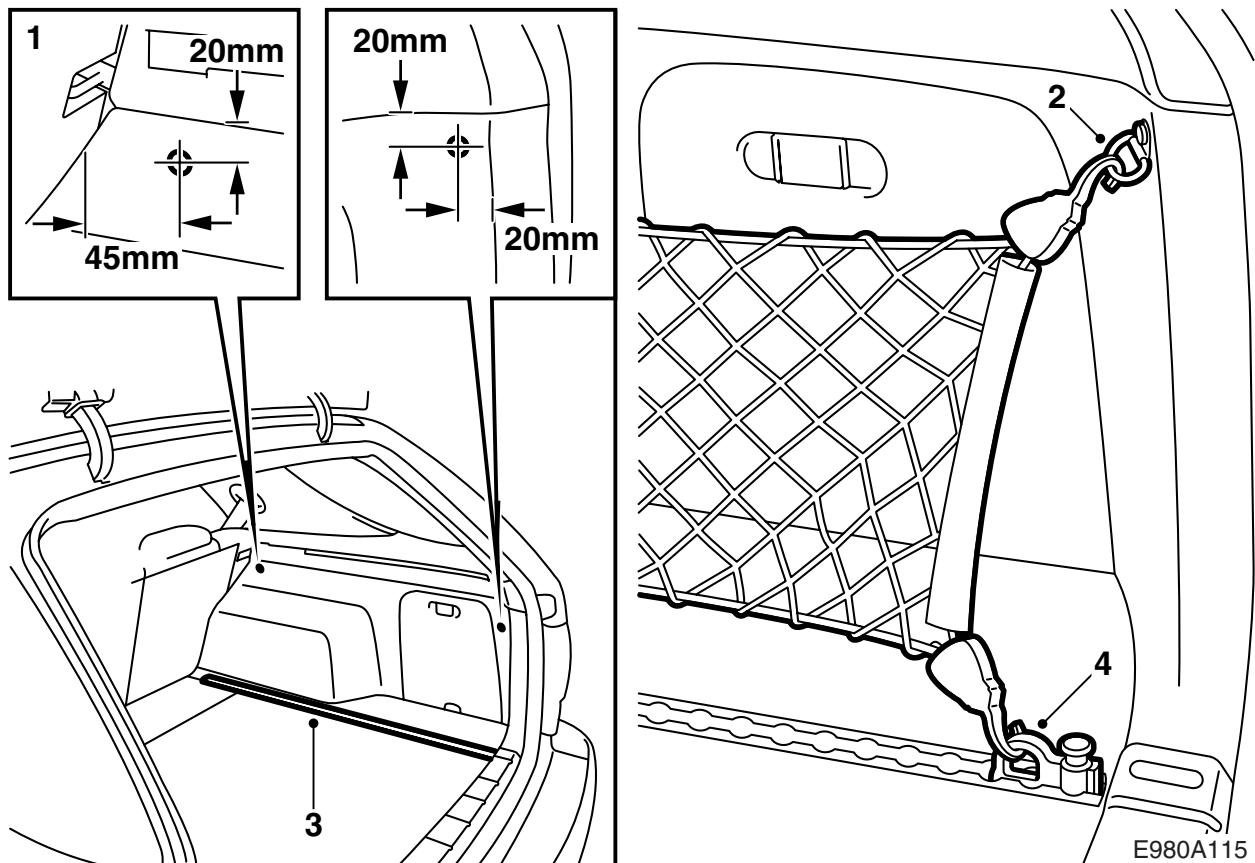


- 7 Lower the right-hand section of the rear seat backrest.
- 8 Mark the position of the hole in the side trim 340 mm from the luggage compartment floor to a point right above the front load anchorage.
- 9 Use a 3 mm bit to drill a hole in the side trim.
- 10 Mount the D-ring.
- 11 Hang the cargo net in the D-rings and secure the cargo net hooks in the load anchorages.

**⚠ WARNING**

Do not use the cargo net to secure loads. It also must not be used when the rear seat is folded down. The cargo net is only intended to keep light objects in place during travel.

- 12 Place the installation instructions inside the car.



### Saab 9-5 5D

- 1 Drill holes in the side trim, see illustration. Use a 2.5 mm bit. The longitudinal distance for the rear hole must be measured from the corner of the trim.
- 2 Secure the D-rings in the side trim so that the screw is situated inside the D-ring.
- 3 Remove the cover moulding from the right-hand load anchorage rail.
- 4 Hang the cargo net in the D-rings. Fit 2 load anchorages in the load anchorage rail under the D-rings in the side trim.
- 5 Secure the lower cargo net hooks in the load anchorages.

**⚠ WARNING**

Do not use the elastic side net to secure loads. It also must not be used when the rear seat is folded down.