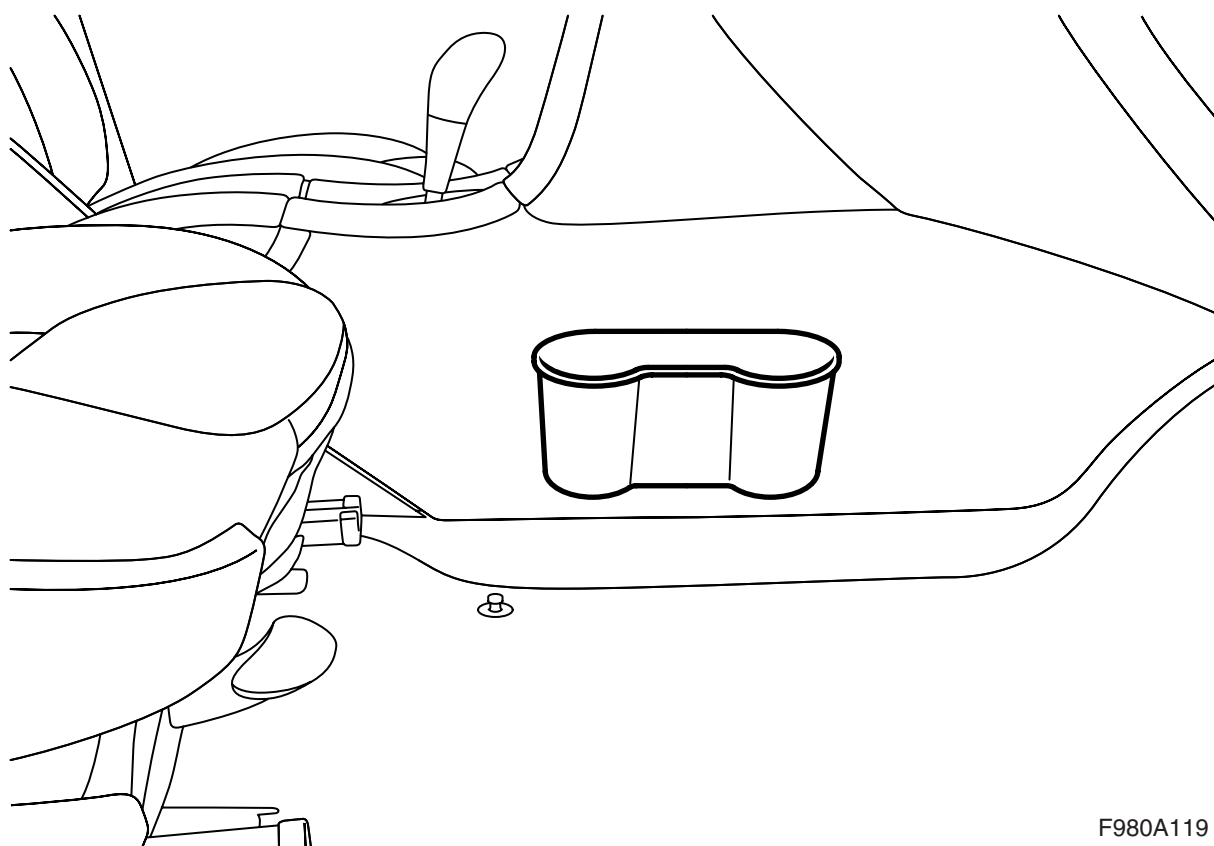




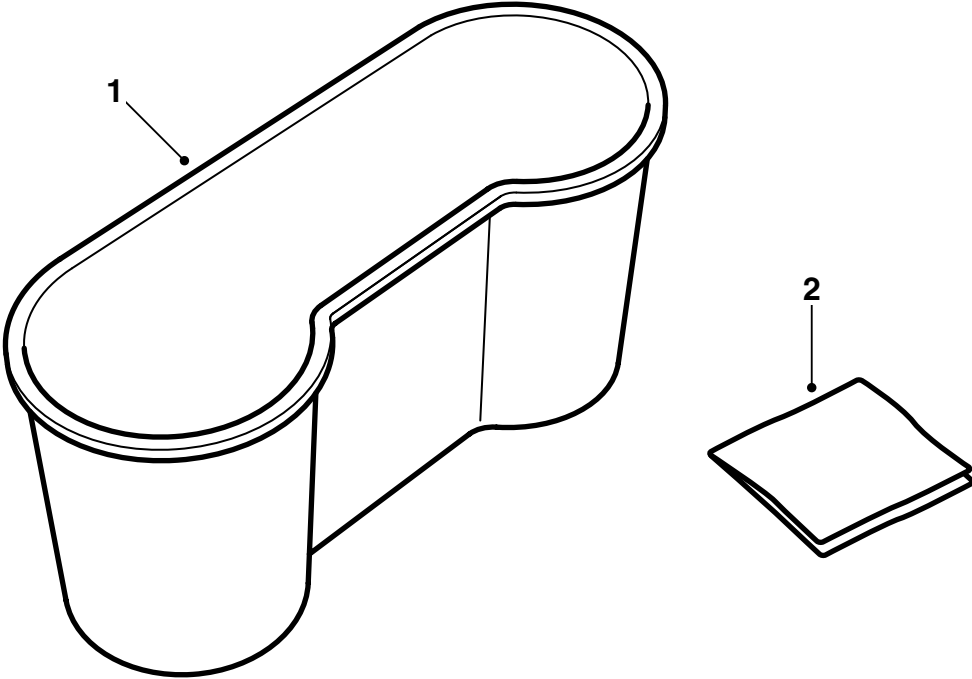
**MONTERINGSANVISNING · INSTALLATION INSTRUCTIONS  
MONTAGEANLEITUNG · INSTRUCTIONS DE MONTAGE**

**Saab 9-3 M03-  
Wastebasket**

Accessories Part No.	Group	Date	Instruction Part No.	Replaces
12 797 141	9:85-18	May 02	12 798 249	

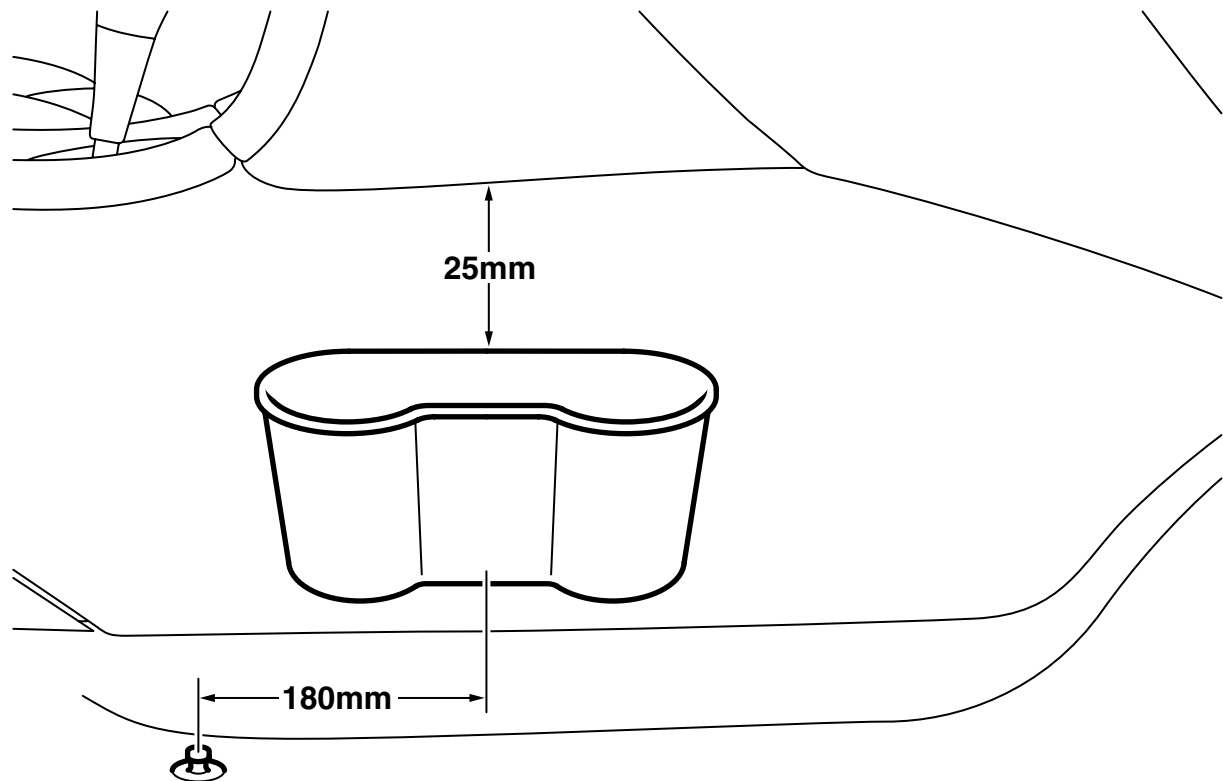


F980A119



F980A118

- 1 Wastebasket
- 2 Wash cloth



F980A120

---

### Important

The temperature must be 17-35 °C (63-95 °F).

---

- 1 Use the enclosed wash cloth to clean the area where the wastebasket is to be mounted. Allow the area to dry for approximately 1 minute or wipe dry with a clean, lint-free, dry cloth.
- 

### Important

To ensure the best adhesion, do not touch the cleaned surface.

---

- 2 Remove the protective foil from the mounting.
- 3 Measure out where the wastebasket is to be placed. The centre line should be 180 mm from the carpet anchorage and the top edge should be 25 mm below and parallel to where the dashboard meets the centre console side trim.
- 4 Press the wastebasket into place and press hard for a few seconds. Do not put any load on the wastebasket for one hour to allow the glue time to dry.
- 5 Give the installation instructions to the customer and make him or her aware of the user instructions.

### User instructions

The wastebasket can also be used to hold drinks in cans or small bottles as well as CDs. If it is to be used for waste, an appropriately sized bag should be used as an insert to make it easier to empty.

---

### Important

The maximum load on the wastebasket is 1 kg.

---

The wastebasket can also be placed in the seat cushion pocket of textile-upholstered front seats.