

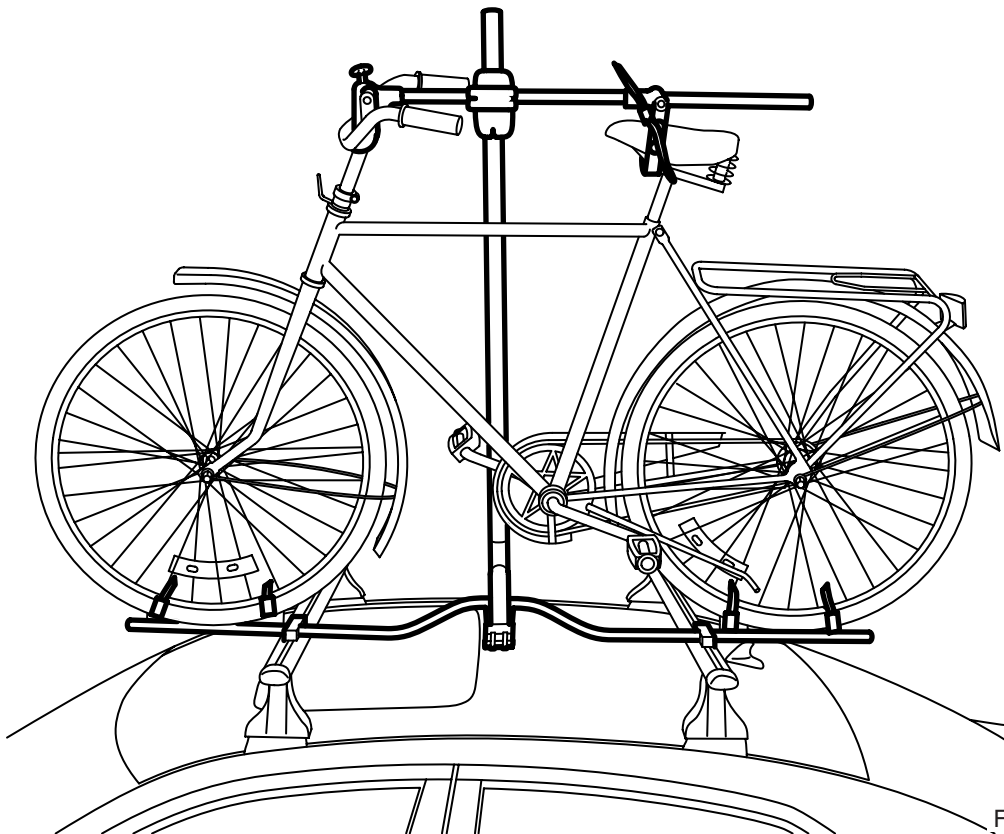


**MONTERINGSANVISNING · INSTALLATION INSTRUCTIONS
MONTAGEANLEITUNG · INSTRUCTIONS DE MONTAGE**

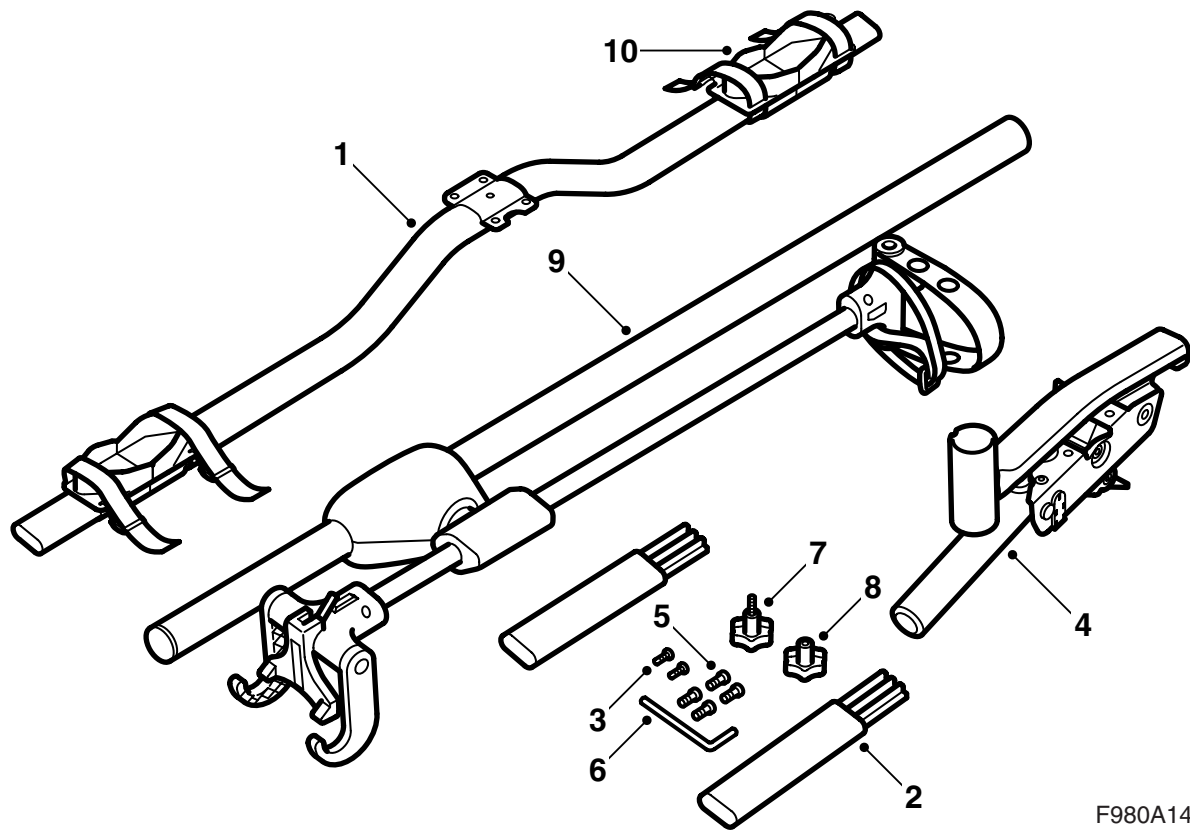
Saab 9-3, Saab 9-5 5D

Bike carrier, roof

Accessories Part No.	Group	Date	Instruction Part No.	Replaces
12 791 386 12 799 337 12 799 338 400 132 338	9:89-16	Sep 02	12 792 694 (55 20 861)	12 792 694 May 02



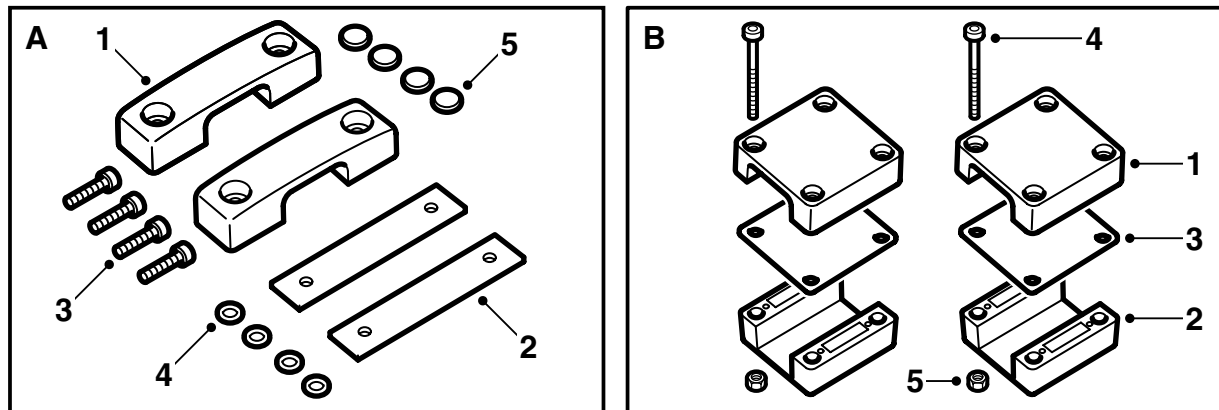
F980A144



F980A145

Bike holder kit

- 1 Rail
- 2 Extensions (x2)
- 3 Bolt (x2)
- 4 Bracket with lever
- 5 Bolt (x4)
- 6 Allen key
- 7 Handwhweel
- 8 Wheel nut
- 9 Bike holder with bar
- 10 Wheel holder (x4)



F980A146

A. Mounting kit, T-groove

- 1 U-clamp (x2)
- 2 Nut plate (x2)
- 3 Bolt (x4)
- 4 Washer (x4)
- 5 Stopper (x4)

B. Mounting kit, square profile

- 1 Bracket, upper section (x2)
- 2 Bracket, lower section (x2)
- 3 Plate (x2)
- 4 Bolt (x8)
- 5 Nuts (x8)

Important

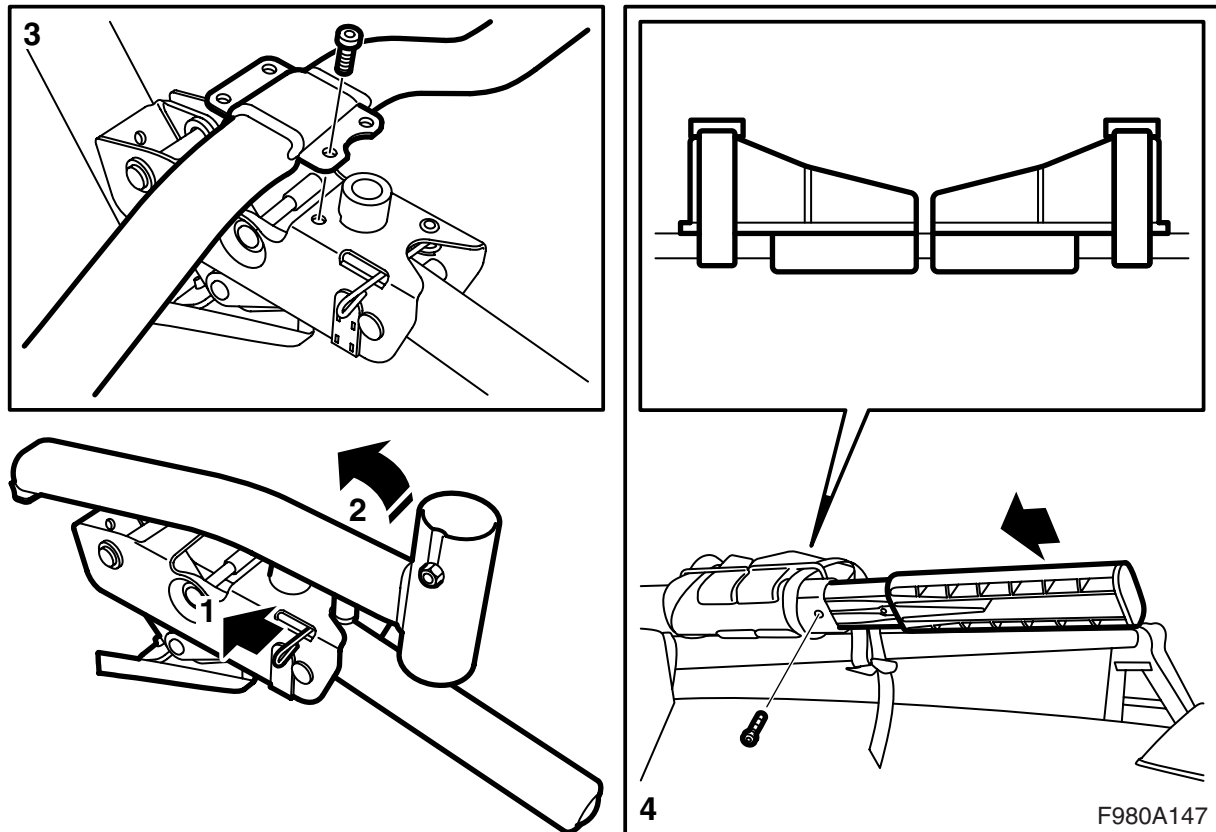
 **WARNING**

Read the installation instructions carefully before using the bike carrier. Carefully follow these instructions when fitting the bike carrier and keep them in the car for future reference.

Adapt the speed of the car to take into account the change in centre of gravity and aerodynamics caused by the weight and profile of the roof load.

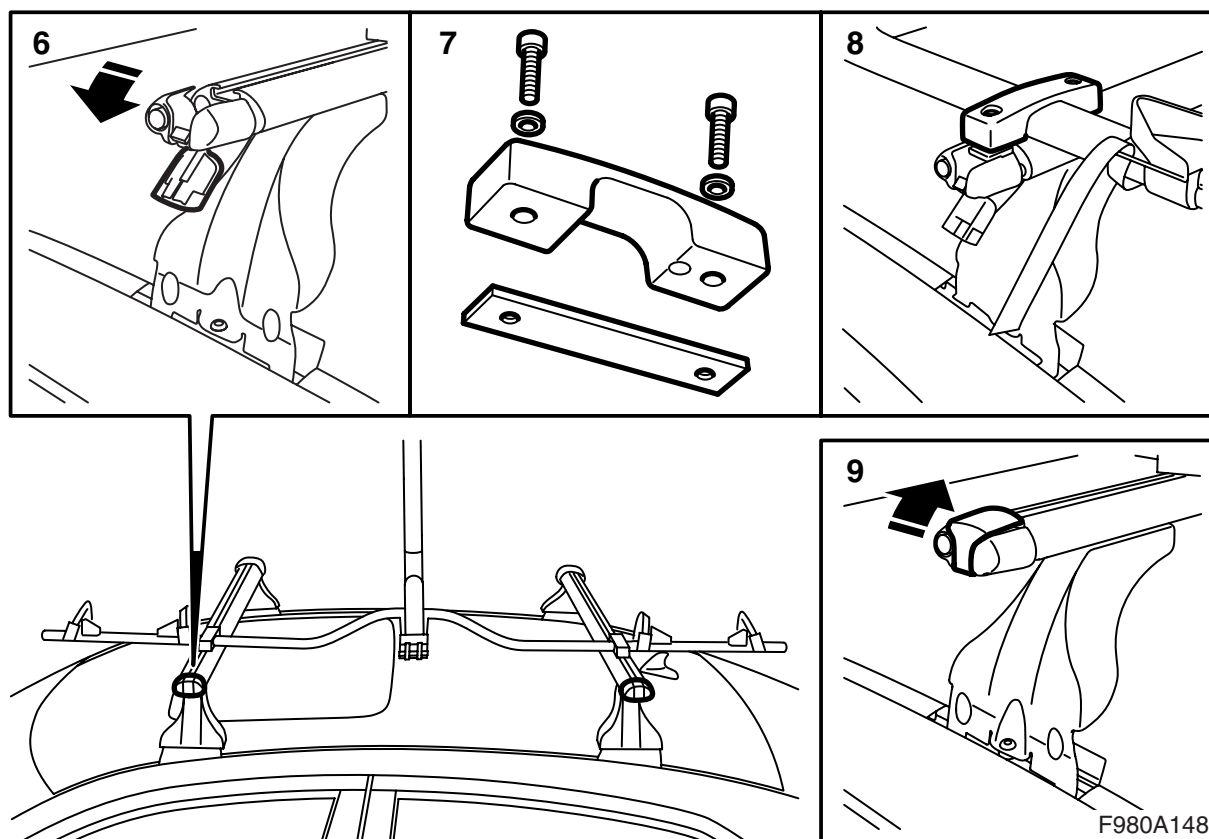
Remove any parts that can come loose from the bike, child seat and saddlebags for example, before placing the bike on the roof of the car.

- The bike carrier is constructed for safe transport provided that it has been properly mounted and is facing in the correct direction. **Product modifications must not be made.**
- The heaviest permitted roof load is 100 kg (220 lbs.) including the load carrier weight: 3.9 kg (8.6 lbs.) (steel), 4.7 kg (10.4 lbs.) (aluminium) and bike carrier weight: 6.8 kg (8.4 lbs.). See the Owner's Manual.
- **9-5 5D:** The distance between roof racks must be 700-780 mm (27.5-30.7 in).
- Always check that the load is securely fastened.
- Pay special attention to the height of the vehicle when transporting a bicycle.
- The bike carrier must be cleaned and cared for, especially during the winter when dirt and salt must be removed. Bolts, nuts and locks must be lubricated regularly.
- The bike holder and bar should be removed from the lever and stored in the luggage compartment when not in use.
- Remove the bike carrier before washing the car in an automatic car wash.
- These installation instructions should be stored in the car.



Mounting in the T-groove

- 1 Release the lever with the red catch.
- 2 Lower the lever until an audible click is heard.
- 3 Fit the bracket and lever to the rail.
Tightening torque: 10 Nm (7.4 lbf ft)
 Move the lever back towards its starting position until an audible click is heard.
- 4 Press the wheel holders onto the rail and fit the rail extensions. Secure the extensions with the screws.
- 5 Rotate the rail, hold it steady and remove the transport screw.



- 6 Pull out the load carrier end plugs and fold down the centre section.

9-5 5D: The distance between roof racks must be 700-780 mm (27.5-30.7 in).

- 7 Fit the clamps and nut plates together using screws and washers. Do not completely tighten the bolts until they are positioned on the rail ends.
- 8 Insert the brackets in the roof rack grooves and tighten the screws when the rail is in the correct position (approx. 10 mm 0.4 in from the roof rack rail end plug).

Tightening torque: 9 Nm (6.5 lbf ft)

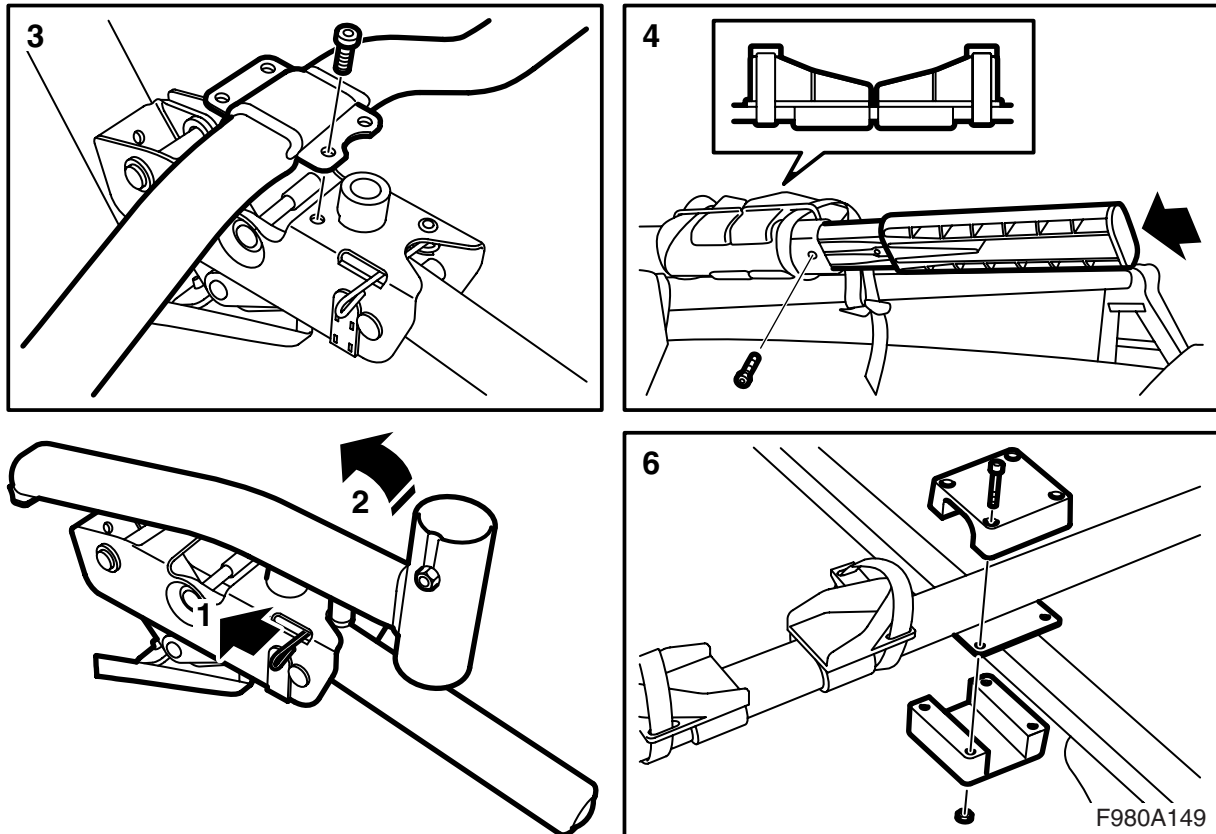
Fit the stoppers.

⚠ WARNING

The brackets must be fitted around the rail, not the extensions. Position the brackets so that the distance between them and the rail end is the same in the front and rear.

The bracket screws must be tightened so that both the bracket and corresponding nut plate are parallel.

- 9 Fold up the centre section of the load carrier end plugs and insert the end plugs.



Fitting on square profile

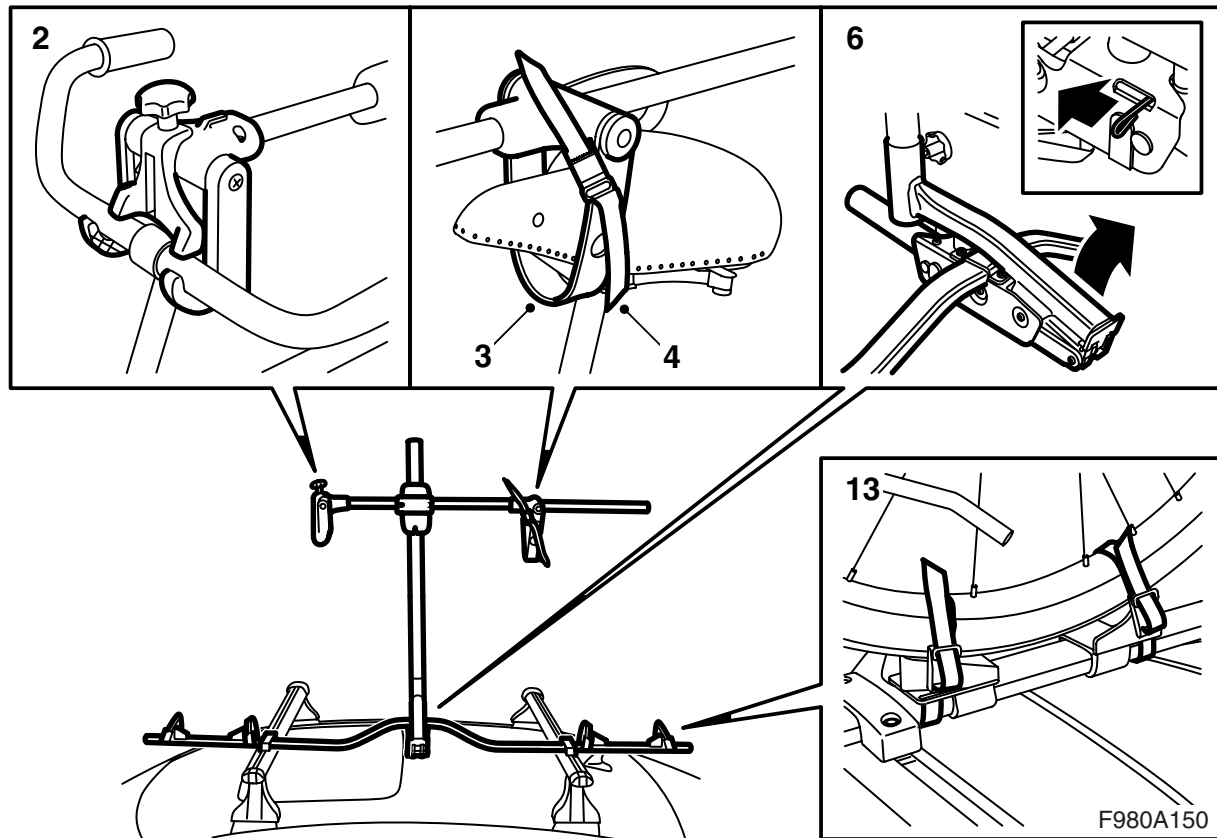
- 1 Release the lever with the red catch.
- 2 Lower the lever until an audible click is heard.
- 3 Fit the bracket and lever to the rail.
Tightening torque: 10 Nm (7.4 lbf ft)
 Move the lever back towards its starting position until an audible click is heard.
- 4 Press the wheel holders onto the rail and fit the rail extensions. Secure the extensions with the screws.
- 5 Rotate the rail, hold it steady and remove the transport screw.
- 6 Position the rail on the roof racks and fit it using the brackets, plates, screws and nuts.
Tightening torque: 9 Nm (6.5 lbf ft)

WARNING

The brackets must be fitted around the rail, not the extensions. Position the brackets so that the distance between them and the rail end is the same in the front and rear.

The bracket screws must be tightened so that both halves of the bracket are parallel.

9-5 5D: The distance between roof racks must be 700-780 mm (27.5-30.7 in).



Mounting the bike for the first time

- 1 Push in the seat holder towards the bike holder bar, loosen the guide clamp hand wheel and push the clamp upwards.
- 2 Secure the handlebars on the hooks, push the guide clamp down and tighten the clamp with the hand wheel.

Important

Be careful not to damage to brake cables or other bike cables.

- 3 Push the seat holder to the rear so the yoke secures the front part of the seat.

Important

The seat holder yoke can be adjusted to the size and shape of the seat. Remove the yoke retaining bolts, position the yoke accordingly and replace the bolts.

- 4 Place the straps around the seat post and tighten them.
- 5 Rotate the bar to a vertical position and loosen the joint lock screw. Push the bar upwards or downwards so the distance between the bar's lower end and the ground is approximately 50 mm (2 in). Tighten the joint lock screw.

Tightening torque: 6 Nm (4.5 lbf ft)

Remove the bike from the bike holder.

- 6 Release the lever with the red catch. Lower the lever until an audible click is heard.
- 7 Fit the bike holder bar in the lever bar bracket.

WARNING

Make sure the bar is completely inserted in the bar bracket.

Tighten the hand wheel.

Tightening torque: 5 Nm (4 lbf ft)

- 8 Secure the handlebars on the hooks, push the guide clamp down and tighten the clamp with the hand wheel.

Important

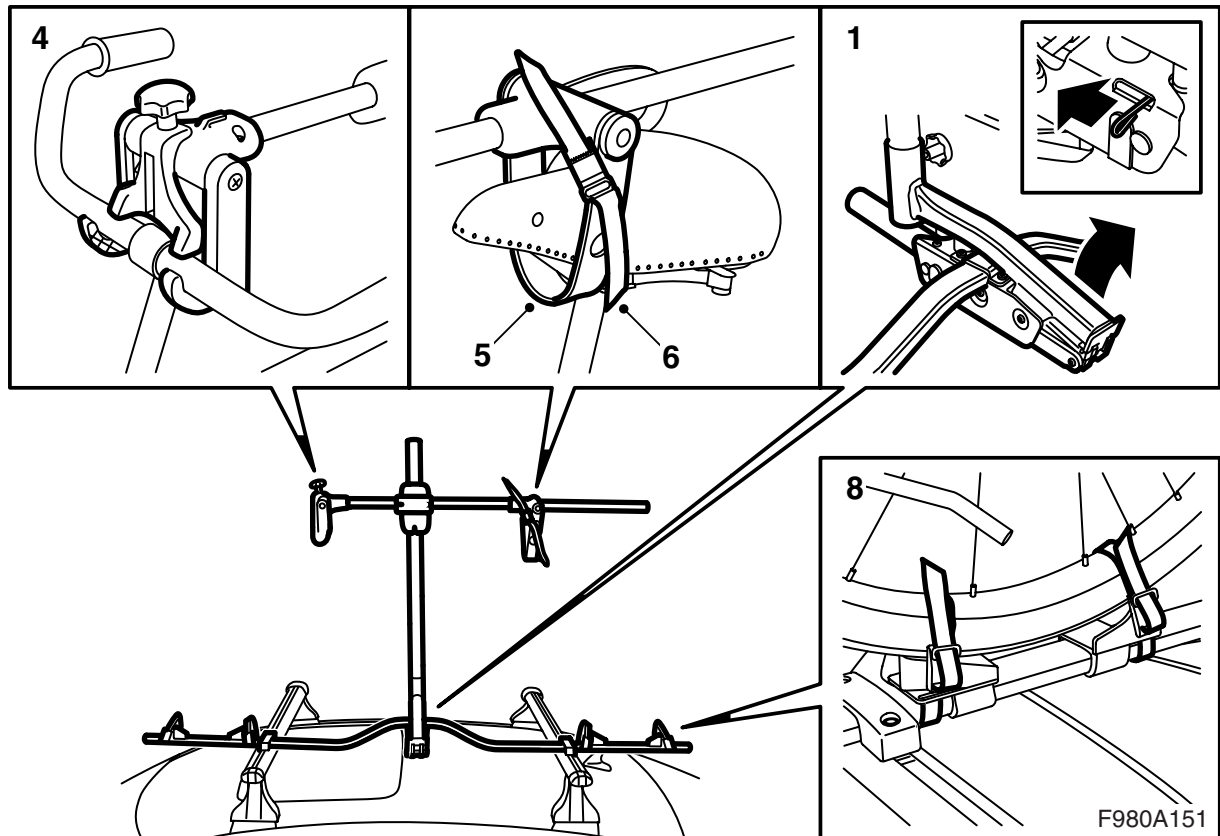
Be careful not to damage to brake cables or other bike cables.

- 9 Push the seat holder to the rear so the yoke secures the front part of the seat.
- 10 Place the straps around the seat post and tighten them.
- 11 Carefully lift the bike with the handlebars and seat past the load position. Use the bike lifter to raise the bike onto the roof.
- 12 Check that the distance between the lowest point of the bike tyre and the rail is less than 3 mm (0.1 in). If the distance is greater, lower the bike to the ground, remove the bar from the lever and repeat step 5.

13 Push in the wheel holders and secure the wheels with the straps.

**WARNING**

Check that the bike is securely fastened.



Mounting the bike

- 1 Release the lever with the red catch. Lower the bike holder until an audible click is heard.
- 2 **If the bike holder has been removed:** Fit the bike holder bar in the lever bar bracket.

- 7 Carefully lift the bike with the handlebars and seat past the load position. Use the bike lifter to raise the bike onto the roof.
- 8 Push in the wheel holders and secure the wheels with the straps.

WARNING

Make sure the bar is completely inserted in the bar bracket.

WARNING

Check that the bike is securely fastened.

Tighten the hand wheel.

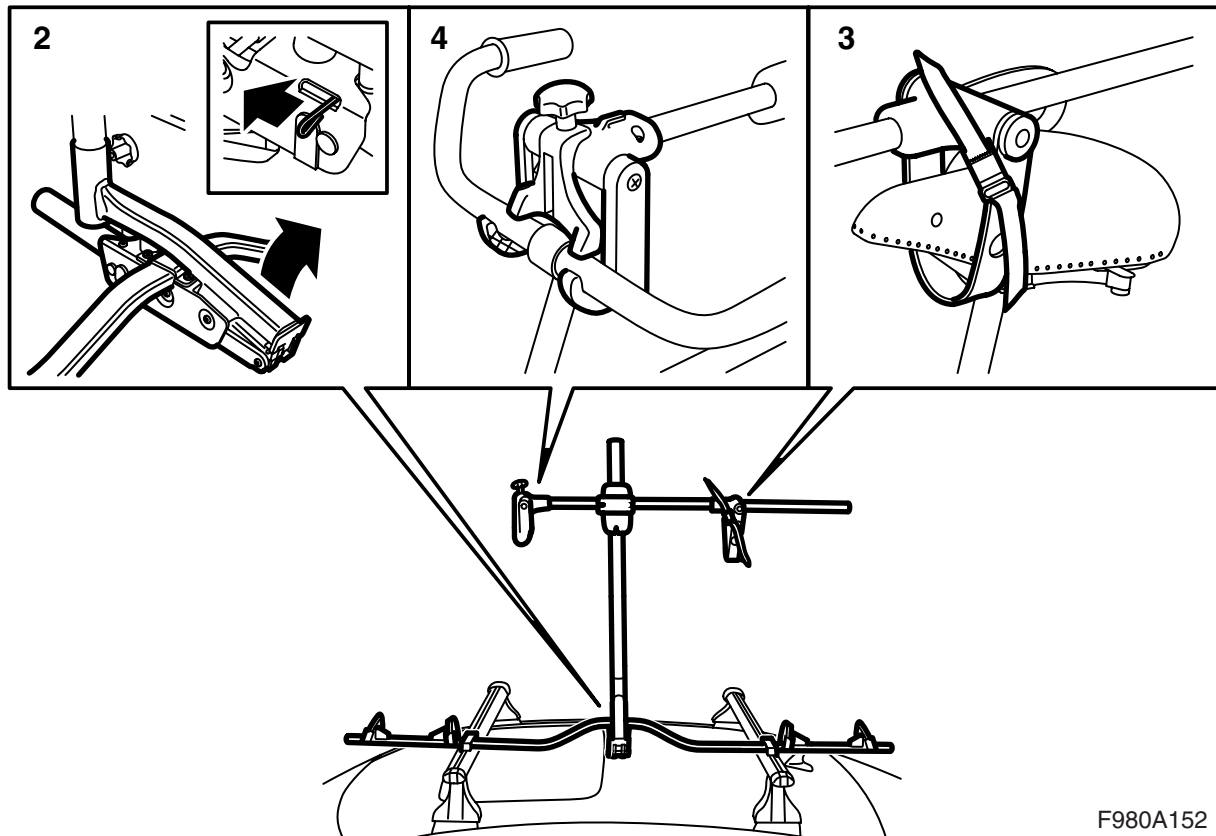
Tightening torque: 5 Nm (4 lbf ft)

- 3 Push in the seat holder towards the bike holder bar, loosen the guide clamp hand wheel and push the clamp upwards.
- 4 Secure the handlebars on the hooks, push the guide clamp down and tighten the clamp with the hand wheel.

Important

Be careful not to damage to brake cables or other bike cables.

- 5 Push the seat holder to the rear so the yoke secures the front part of the seat.
- 6 Place the straps around the seat post and tighten them.



F980A152

Removing the bike

- 1 Release the strap catches and undo the straps securing the wheels to the rail. Push the wheel holders away from the wheels.
- 2 Release the lever with the red catch. Grasp the bike and pull it outwards. Lower the bike and the bike holder until an audible click is heard.
- 3 Release the strap catch and remove the strap from around the seat post.
- 4 Push in the seat holder towards the bike holder bar, loosen the guide clamp hand wheel and push the clamp upwards.
- 5 Unhook the bike from the bike holder.

WARNING

When the bike holder bar is to be raised with no bike attached, the bar will raise with excessive force since the tension in the spring corresponds to the weight of the bike. This poses a risk for personal injury.

- 6 Carefully raise the bike holder bar upwards past the load position, grasp the bike lifter and lift the bike holder onto the roof.

The bike holder and bar should be removed from the lever and stored in the luggage compartment when not in use.