

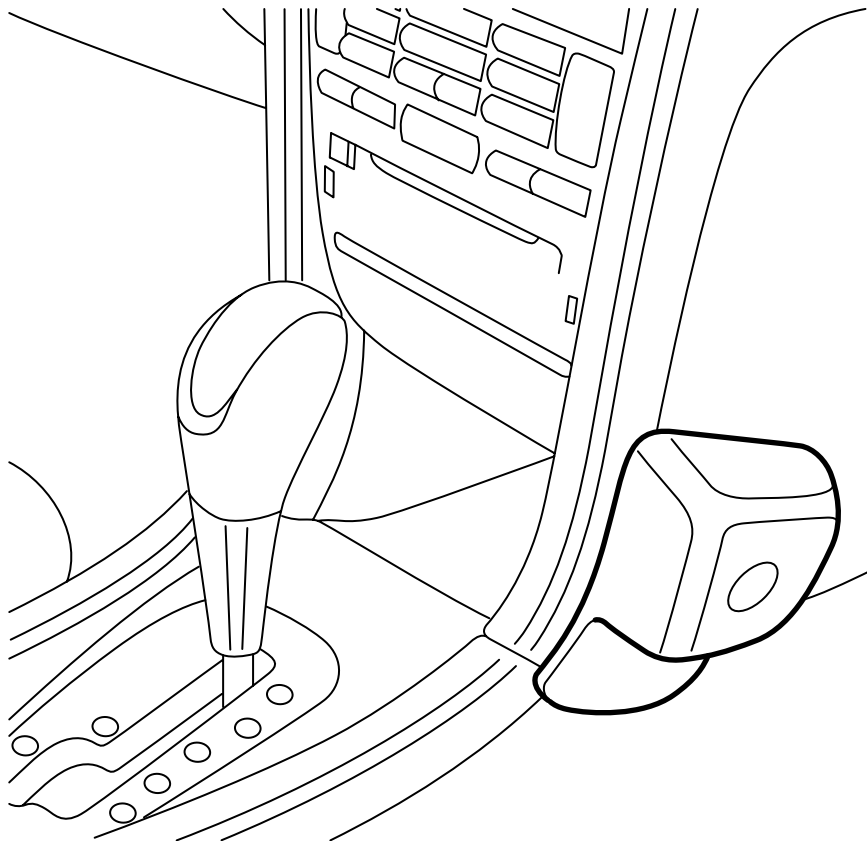


**MONTERINGSANVISNING · INSTALLATION INSTRUCTIONS
MONTAGEANLEITUNG · INSTRUCTIONS DE MONTAGE**

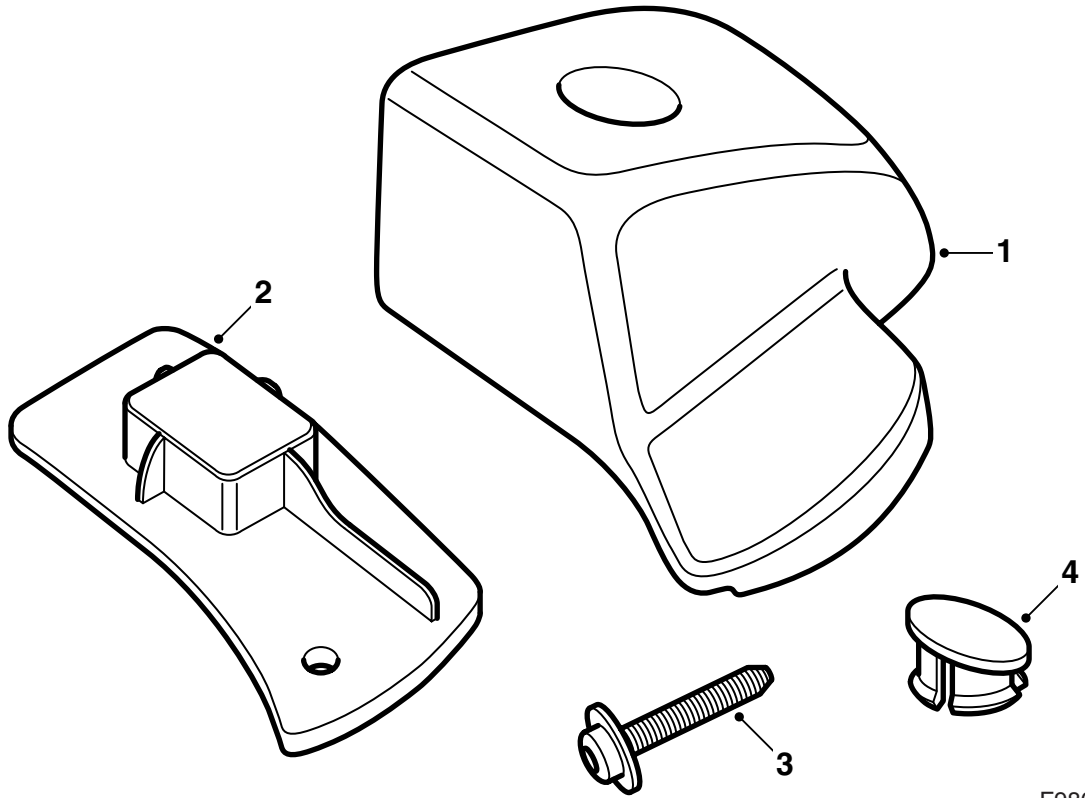
Saab 9-3 M03-

Telephone bracket

Accessories Part No.	Group	Date	Instruction Part No.	Replaces
12 787 239 12 789 482 12 791 202 12 791 203	9:39-06	Apr 02	12 788 446	

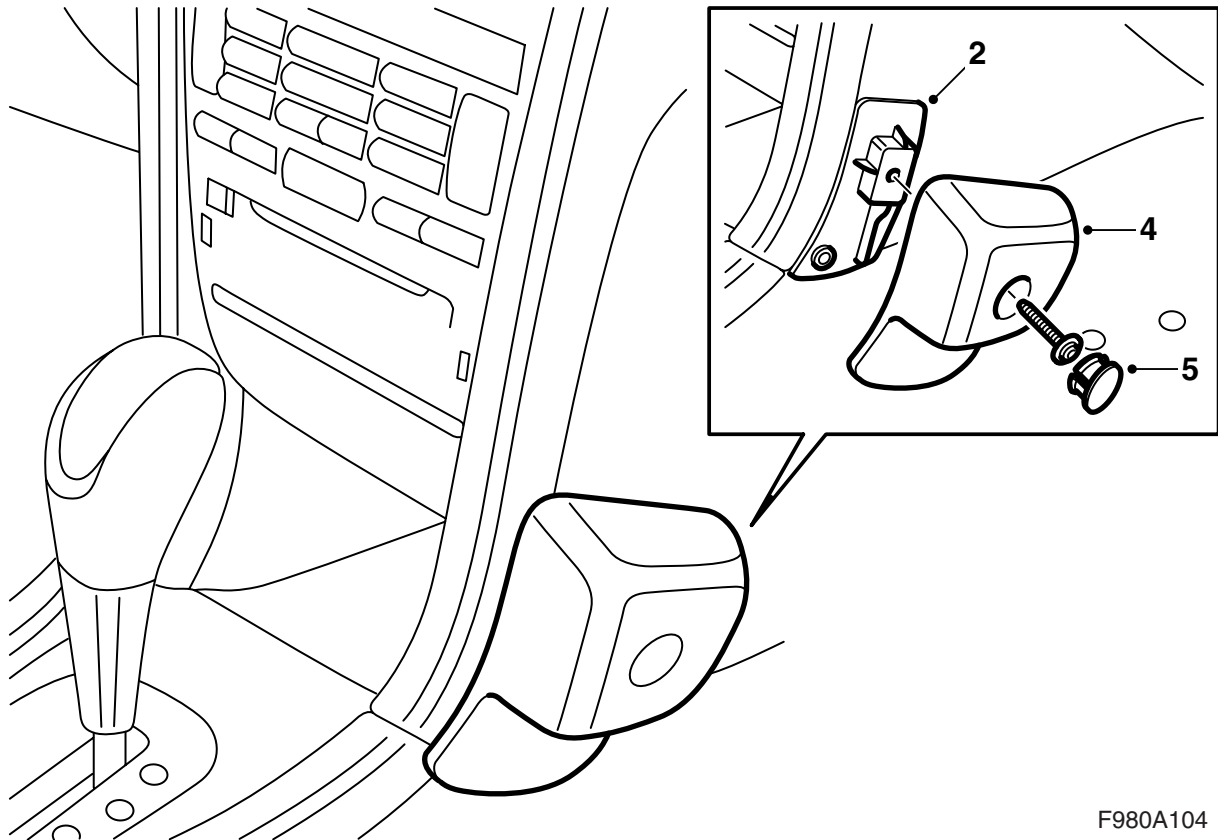


F980A102



F980A103

- 1 Telephone bracket
- 2 Attachment plate
- 3 Bolt
- 4 Cover



F980A104

- 1 Remove the protective foil from the attachment plate.
- 2 Starting with the bottom edge, position the attachment plate against the joint between the dashboard and the centre console, then at the side of the joint between the dashboard side and its front. Make sure the attachment plate is lined up with the dashboard and press it into place.
- 3 Drill a 3 mm hole through the top hole of the attachment plate.
- 4 Position the telephone bracket on the attachment plate and secure it with the screw.
- 5 Fit the cover.