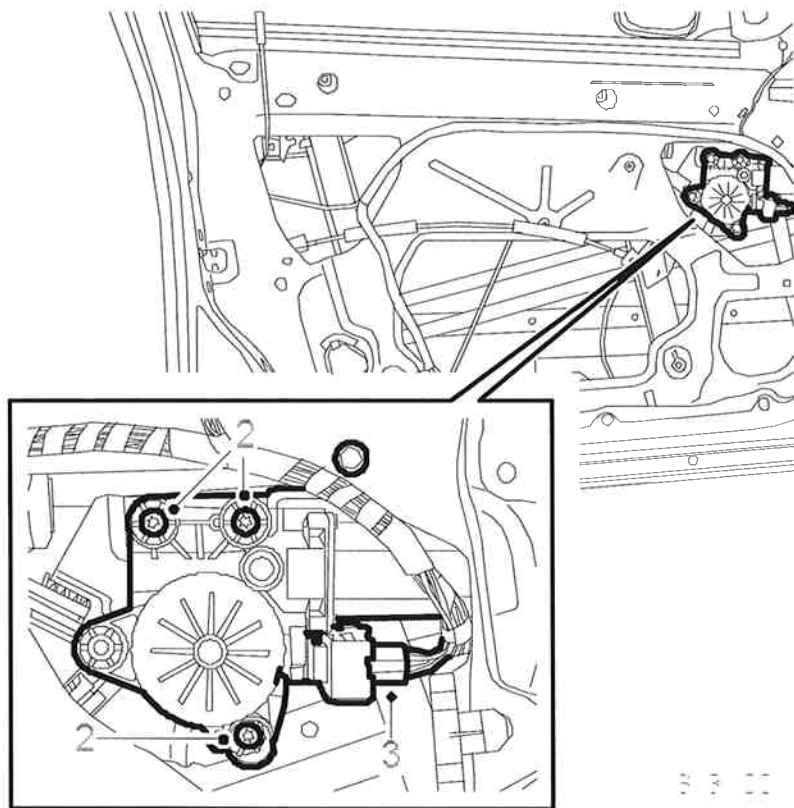


**Window lift motor, front**

**To remove**

1. Remove the door trim and water barrier.
2. Remove the bolts securing the electric motor.



3. Lift out and unplug the motor.

**To fit**

- 1.

Guide in the motor using the locating pins.