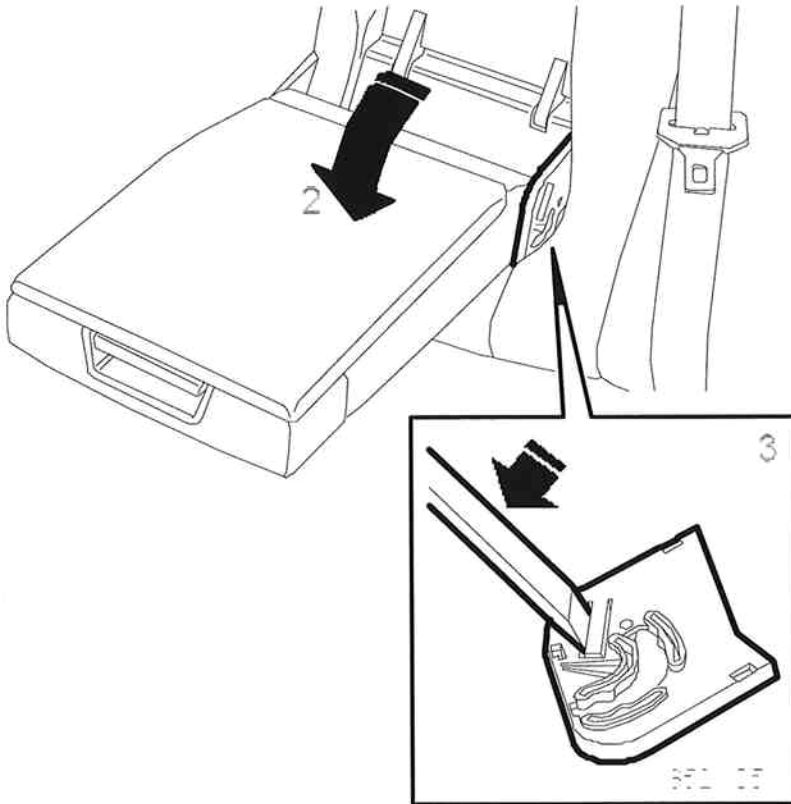


**Armrest, rear seat**

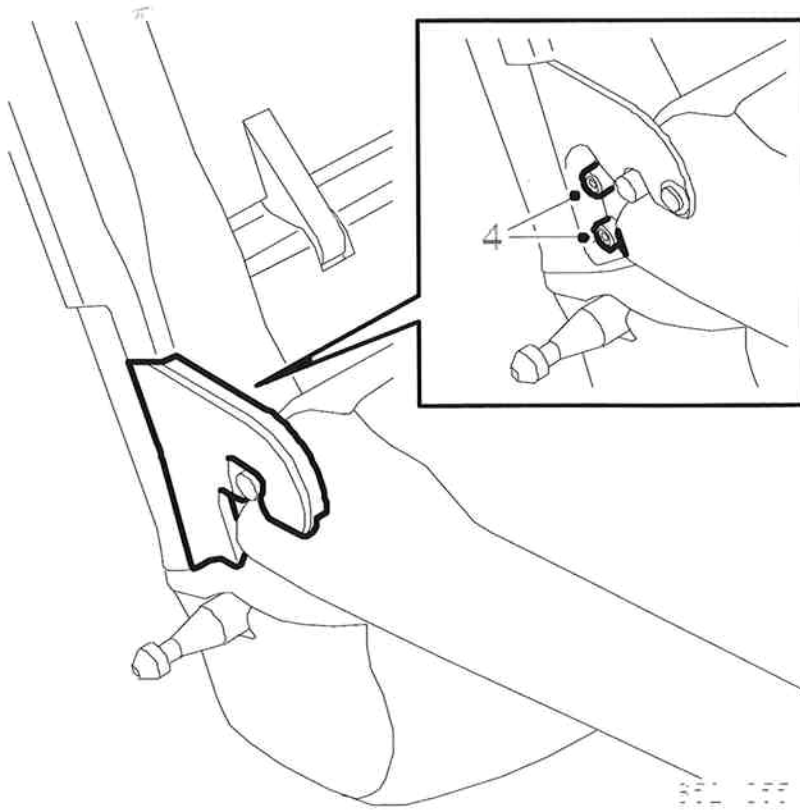
**Removing**

1. Lower the 40% section of the backrest.
2. Lower the rear seat armrest.



3. Remove the cover from the inner armrest bracket.
- 4.

Remove the bolts from the outer armrest bracket.

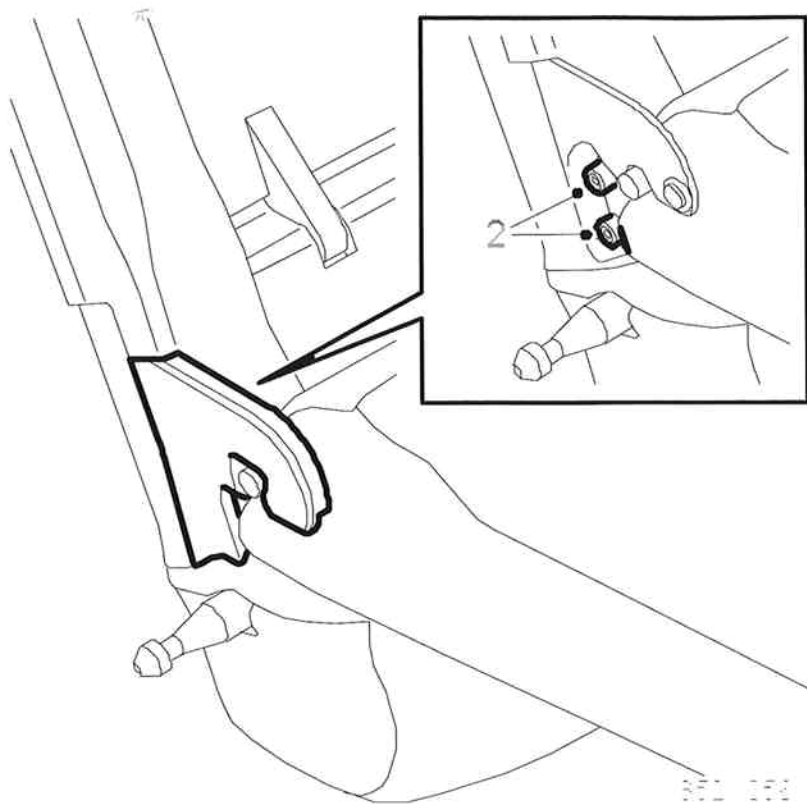


5. Raise the armrest to an angle of roughly 45° and guide out the armrest.

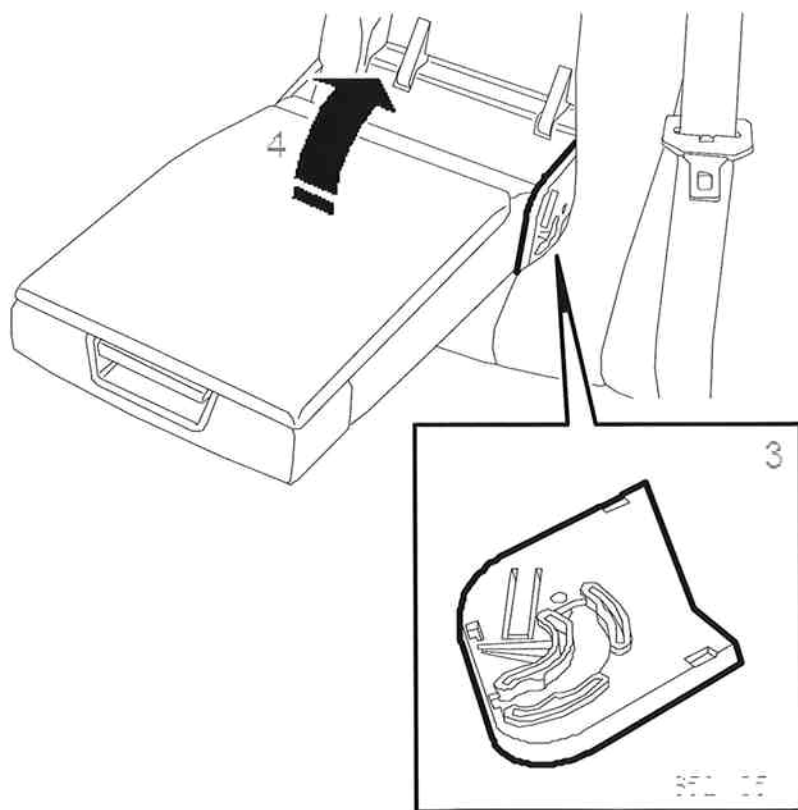
**Fitting**

1. Fit the rear seat armrest by holding the armrest at an angle of roughly 45° and guiding it into position.
- 2.

Fit the bolts to the outer armrest bracket.



3. Fit the cover over the inner armrest bracket.



4. Raise the rear seat armrest.
5. Raise the 40% section of the backrest.