

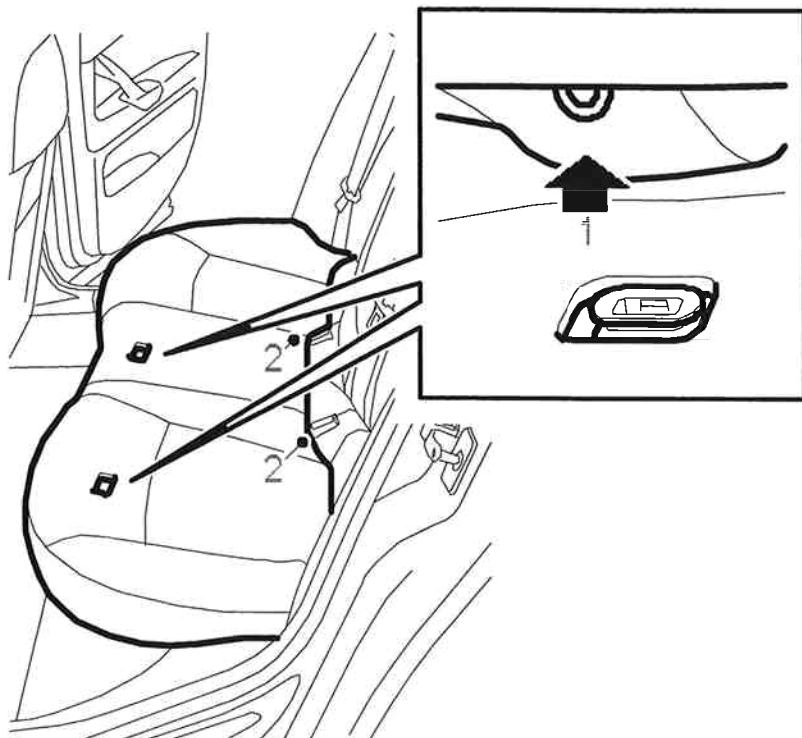
**Backrest, rear seat****Removing** 

The 40% part of the backrest can be removed separately. The 40% part must first be removed to remove the 60% part.

1. Remove the rear seat.
2. Tip the rear seat backrests forward.
3. Remove the side bolsters.
4. Lift the outer edge of the 40% part of the backrest up out of its mounting.
5. Angle the 40% section upward and forward to that the backrest is released from the locating pin by the centre mounting, and remove the backrest.
6. Lift the outer edge of the 60% section up out of its mounting and remove the centre seatbelt's lower anchorage point.
7. Angle the 60% section upward and forward to remove the backrest's locating pin from the centre mounting, and remove the backrest.

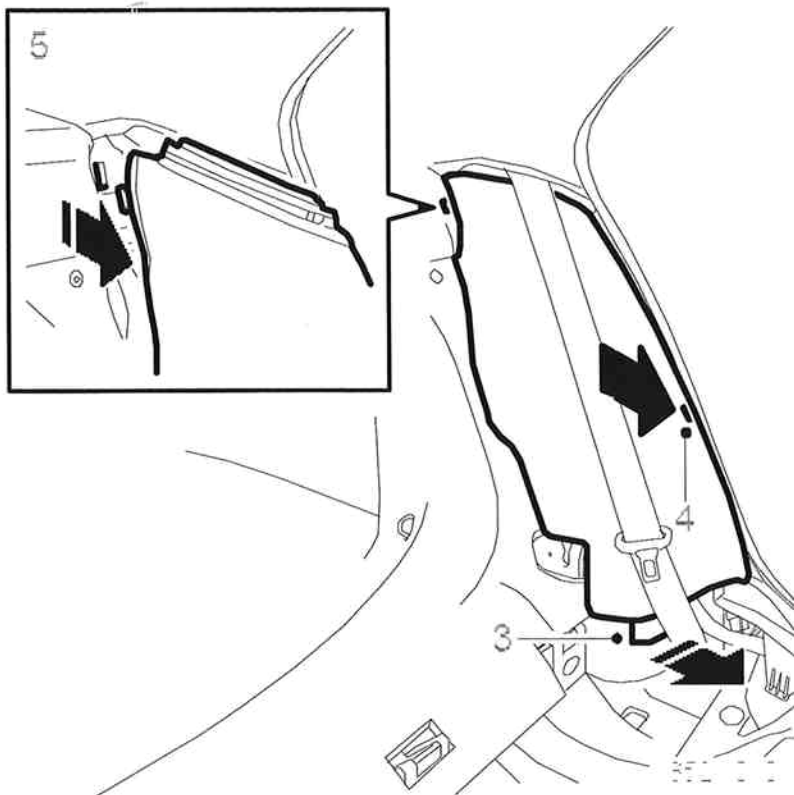
**Rear seat****Removing**

1. Grasp the front edge of the rear seat, above the mounting points, and pull upward.



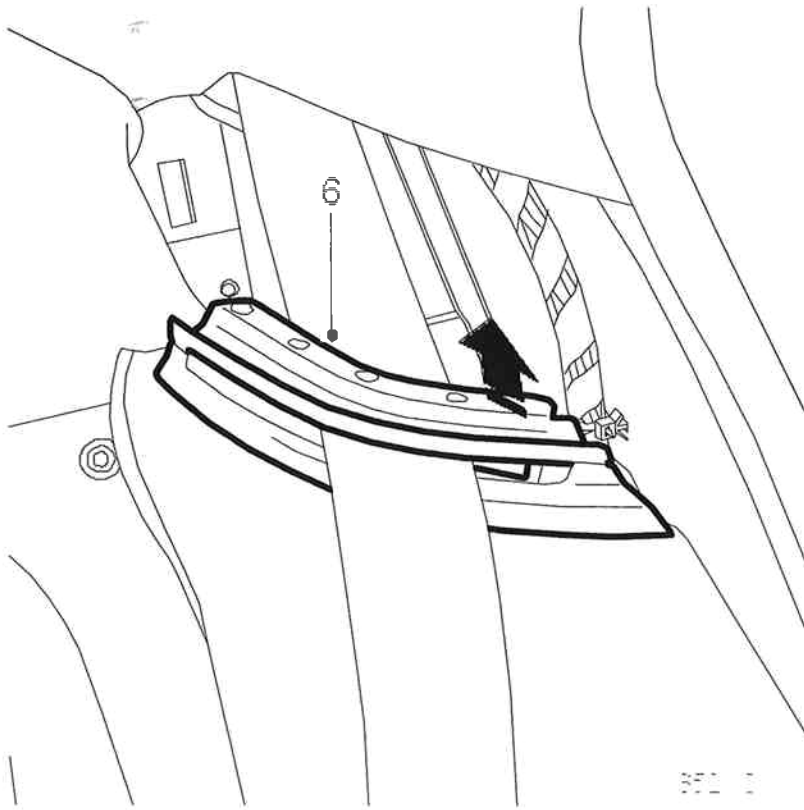
2. Lift the rear seat up and forward so that the seat comes free from the seatbelt buckles.
3. Carefully lift out the rear seat.

Unhook the bolster from the lower mounting.



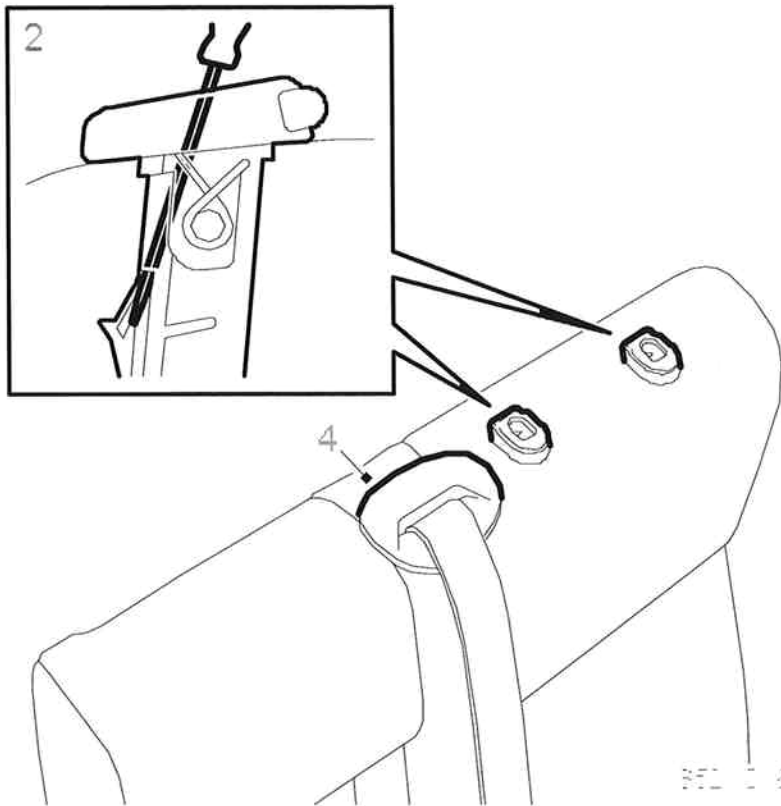
4. Press the centre section of the bolster backward while pressing the bolster toward the centre of the car to disengage the bolster's centre mounting.
5. Press in the clip to release the top of bolster and remove the bolster.
- 6.

Remove the upper part of the belt guide.



**Upholstery, rear seat backrest****Removing**

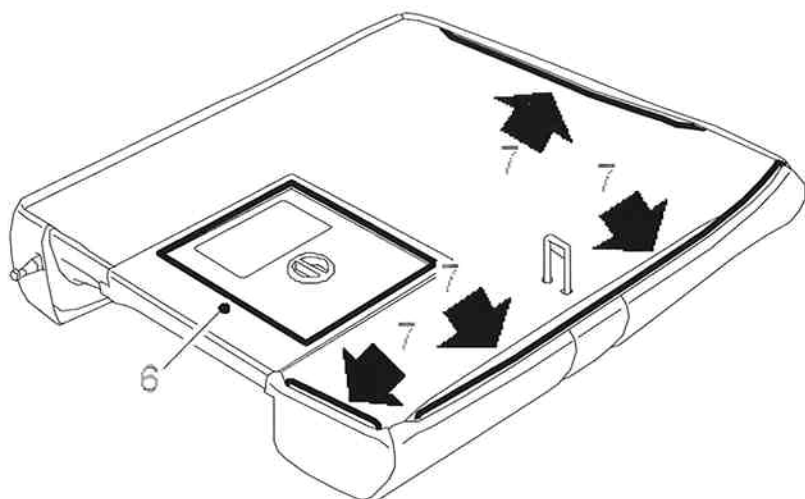
1. Remove the 60% section of the backrest from the rear seat.
2. Remove the head restraint and head restraint guides.
- ~~3. Remove the armrest from the 60% section of the backrest. Not required.~~
4. Remove the backrest belt guide.



5. Remove the sprung backrest catch.

6.

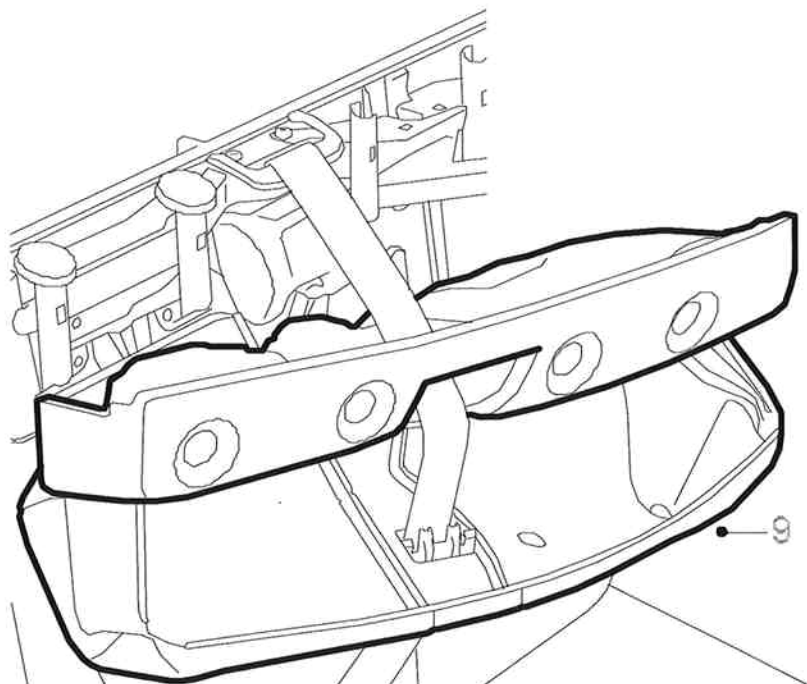
~~Remove the through-load hatch frame. Not required.~~



7. Remove the upholstery strips from the backrest.

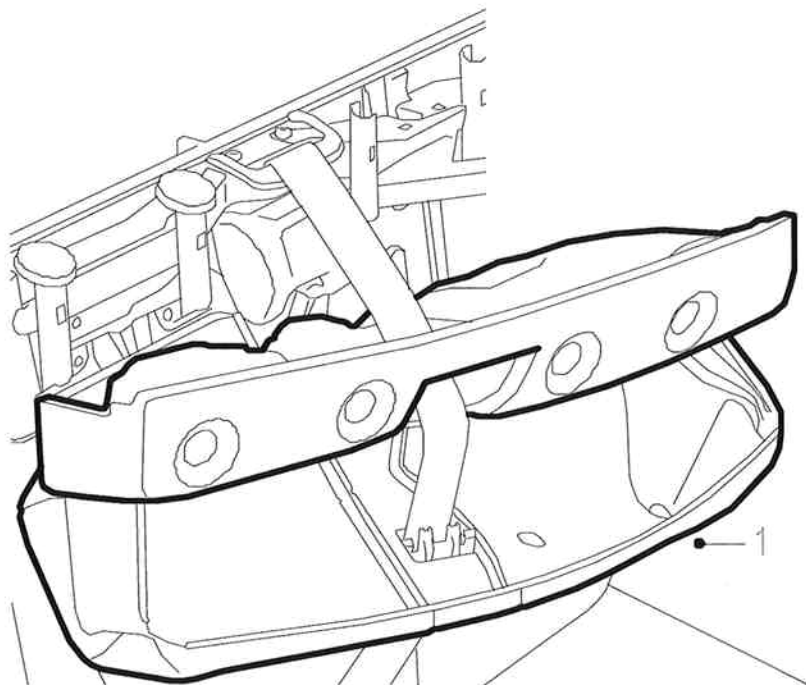
~~8. Remove the through-load hatch by undoing the locating pins at the lower edge of the backrest. Not required.~~

9. Carefully pull the upholstery off the foam backrest cushion.



**Fitting**

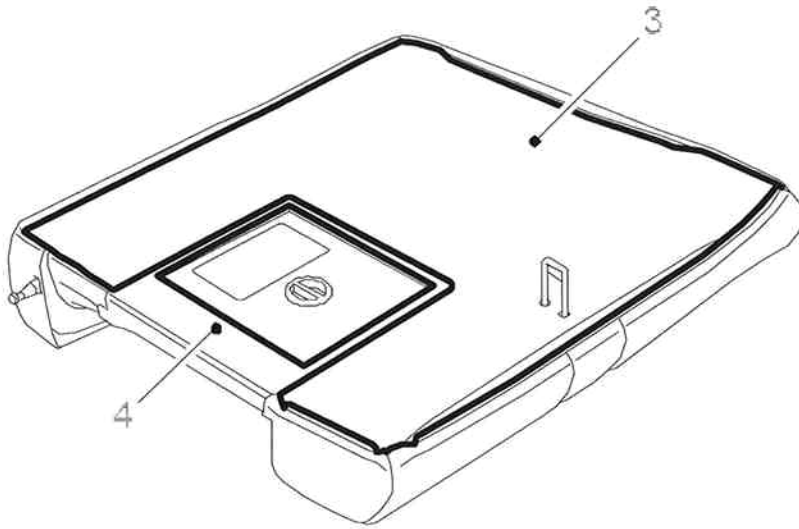
1. Fit the upholstery to the foam backrest cushion.



- ~~2. Fit the through-load hatch.~~ *Not required.*

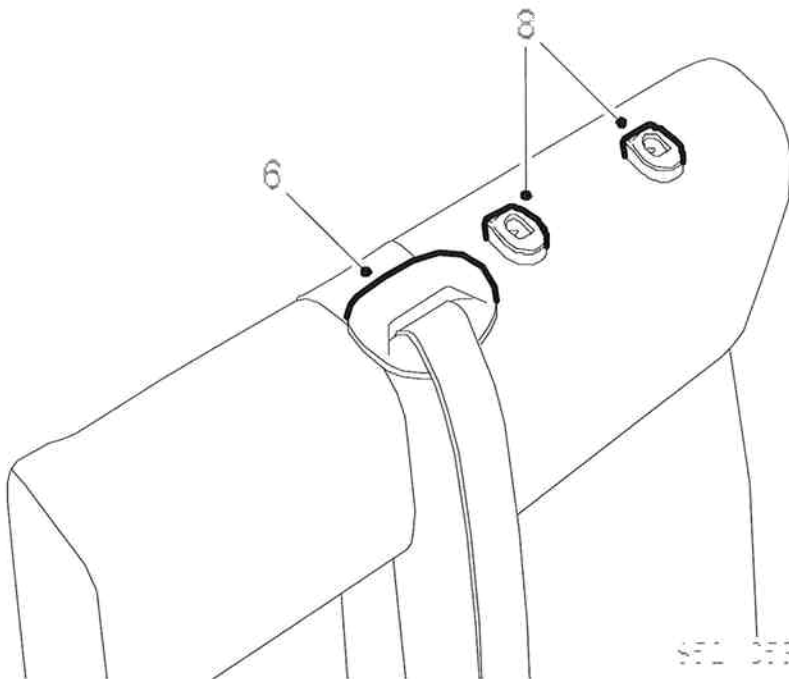
- 3.

Fit the backrest upholstery strips. Make sure the upholstery is properly stretched.



9-3 053

- ~~4. Fit the through load hatch frame. -Not required~~
- ~~5. Fit the sprung backrest catch.~~
- 6. Fit the seatbelt guide to the backrest.



9-3 053

π

- ~~7. Fit the armrest to the 60% section of the backrest. *Not required.*~~
8. Fit the head restraint guides and the head restraint . Make sure the catches in the guides engage properly.
9. Fit the 60% section of the rear seat backrest.

**Backrest, rear seat****Fitting**

1. Insert the locating pin on the 60% section into the centre mounting.
2. Fit the outer edge of the 60% section into its mounting.
3. Fit the 40% section of the backrest by fitting the lower inner part of the backrest over the locating pin.
4. Fit the outer edge of the 40% section into its mounting.
5. Fit the side bolsters .
6. Raise the backrests and fit the lower centre seatbelt anchorage point. Make sure the backrests lock in position.

**Note**

The seatbelt strap must not be twisted.

**Tightening torque 45 Nm (33 lbf ft)**

7. Fit the rear seat .

9-3 (9440) 3 2003