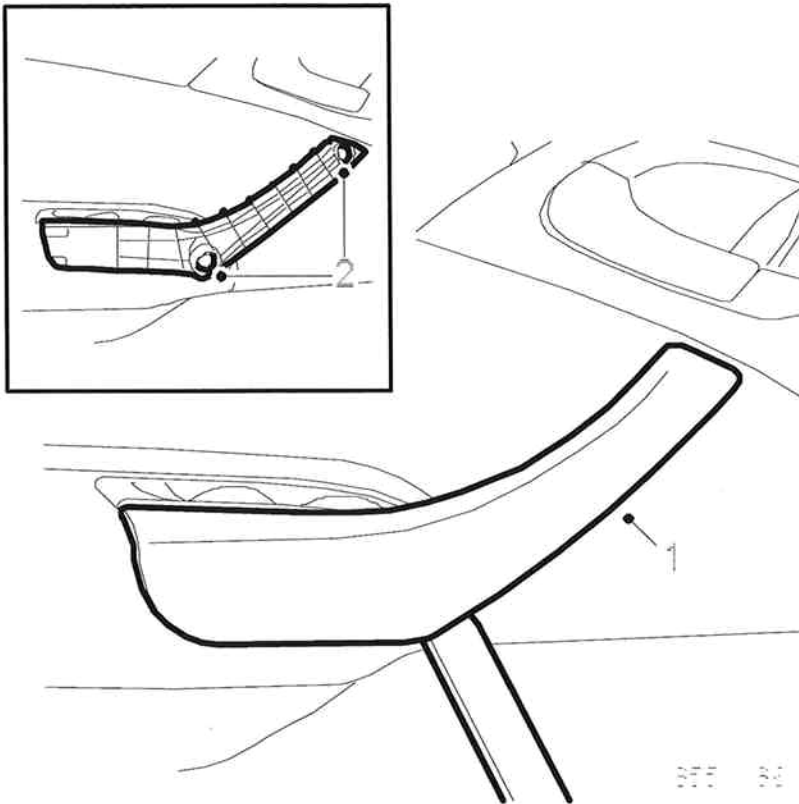


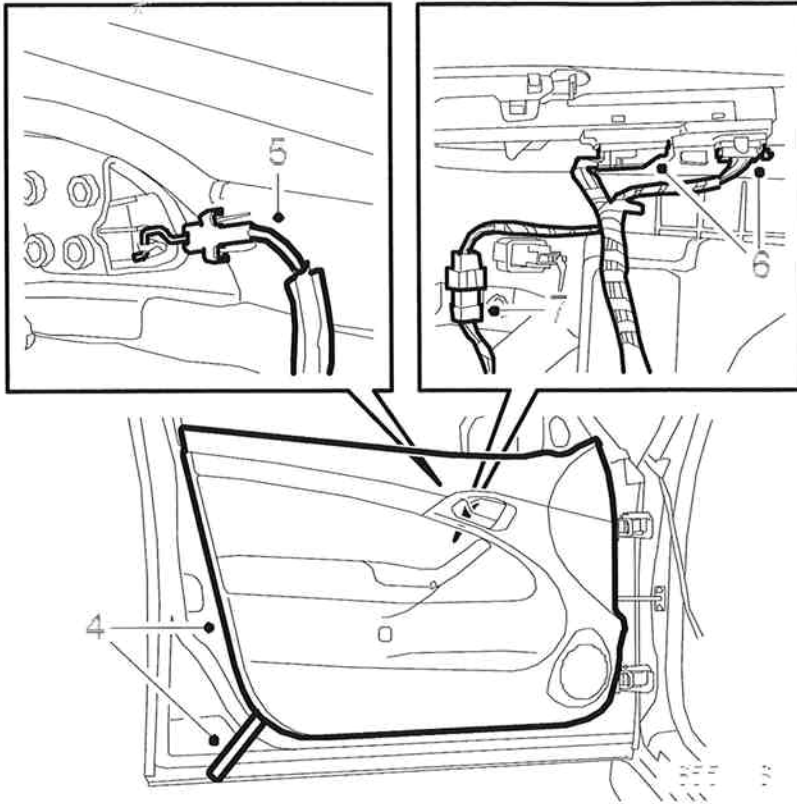
Door trim, front**To remove**

1. Remove the inner door handle cover. Use 82 93 474 removal tool under the handle and lift upwards
2. Remove the screws from the handle.



3.

Remove the door trim clips by inserting 82 93 474 removal tool between the trim and the door panel and bend outwards.



4. Lift the door trim upwards.
5. Remove the door handle wire.
6. Unplug the door panel and the window lift connectors.
7. Unplug the connector from the wiring harness to the door trim.

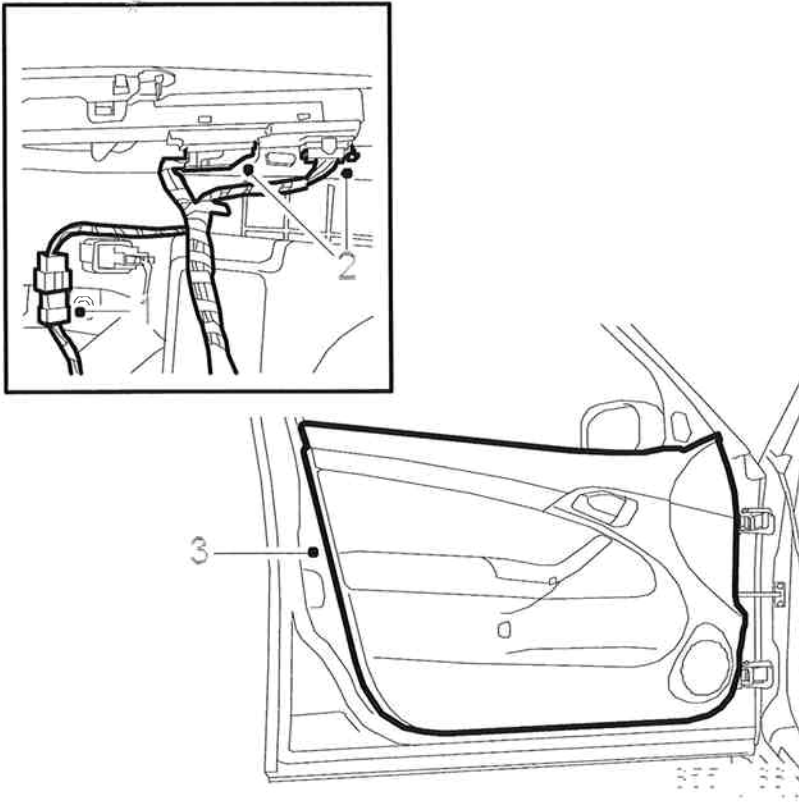
To fit

Note

Ensure that the door trim clips are undamaged and correctly positioned before the trim is fitted.

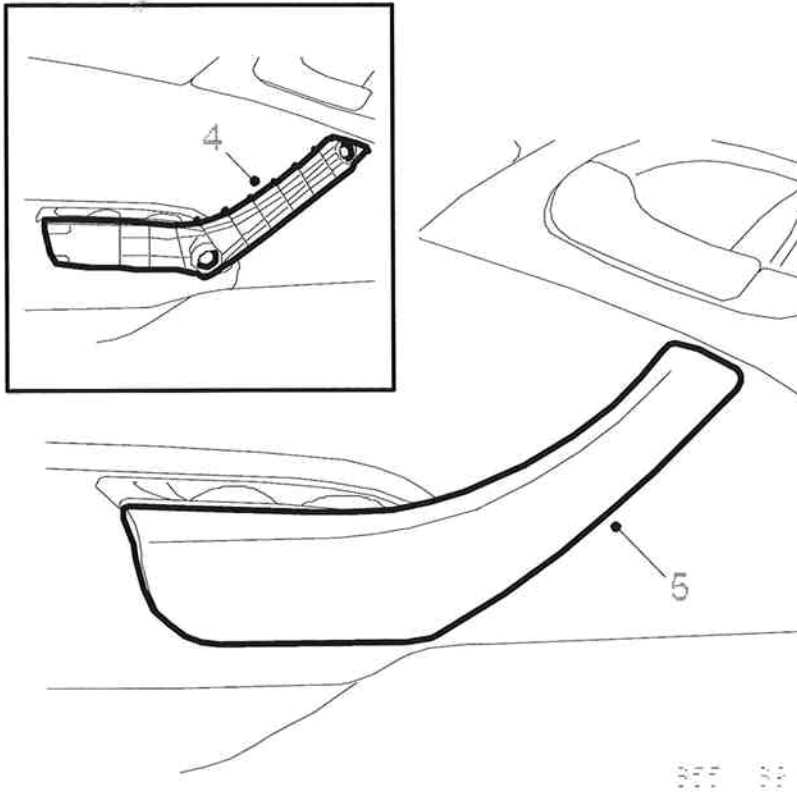
- 1.

Plug in the connector to the door panel wiring harness and fit the door handle wire.



2. Plug in the connector to the door trim and the window lift.
3. Push the upper section of the door trim down between the window and the door panel. Ensure that the clips are aligned with their respective holes and push the trim firmly into position.
- 4.

Fit the door handle screws.



5. Fit the cover to the inner door handle.