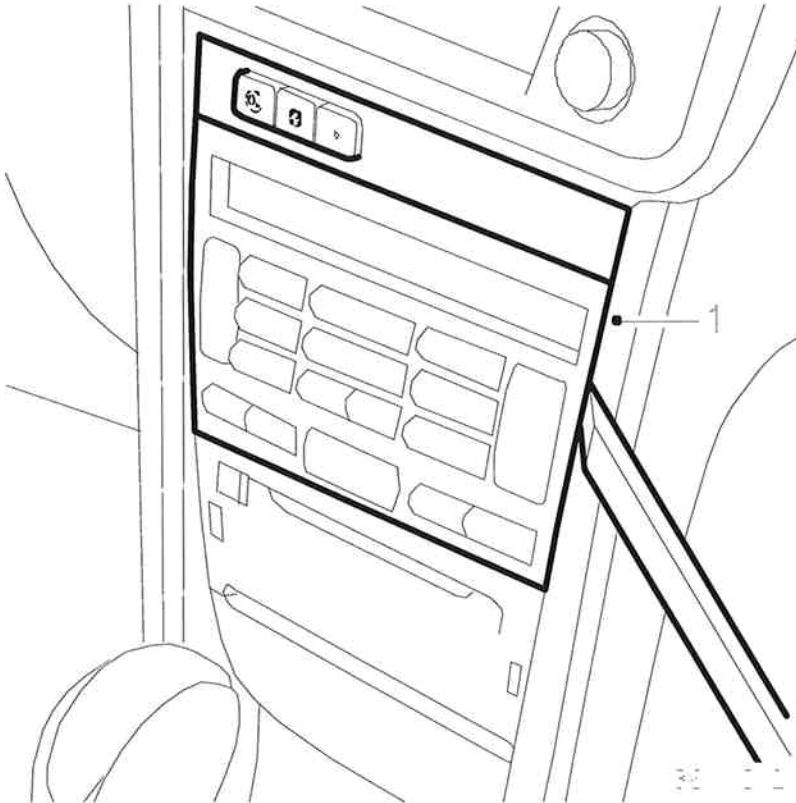


### OnStar panel

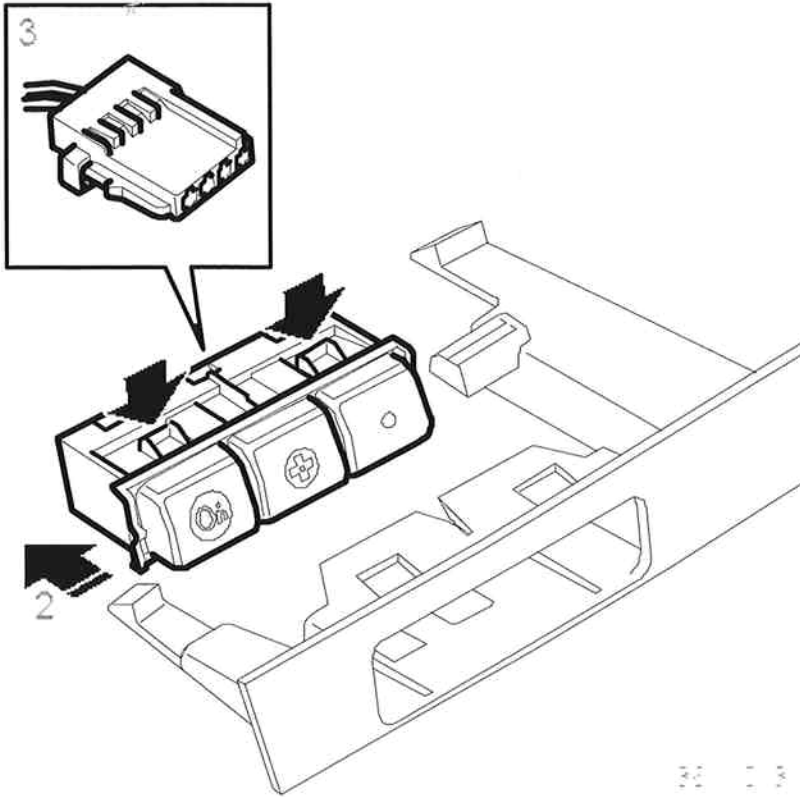
#### To remove

1. Remove the ACC/MCC unit with 82 93 474 Removal tool.



- 2.

Remove the OnStar panel by releasing the catches on the rear edge of the panel.

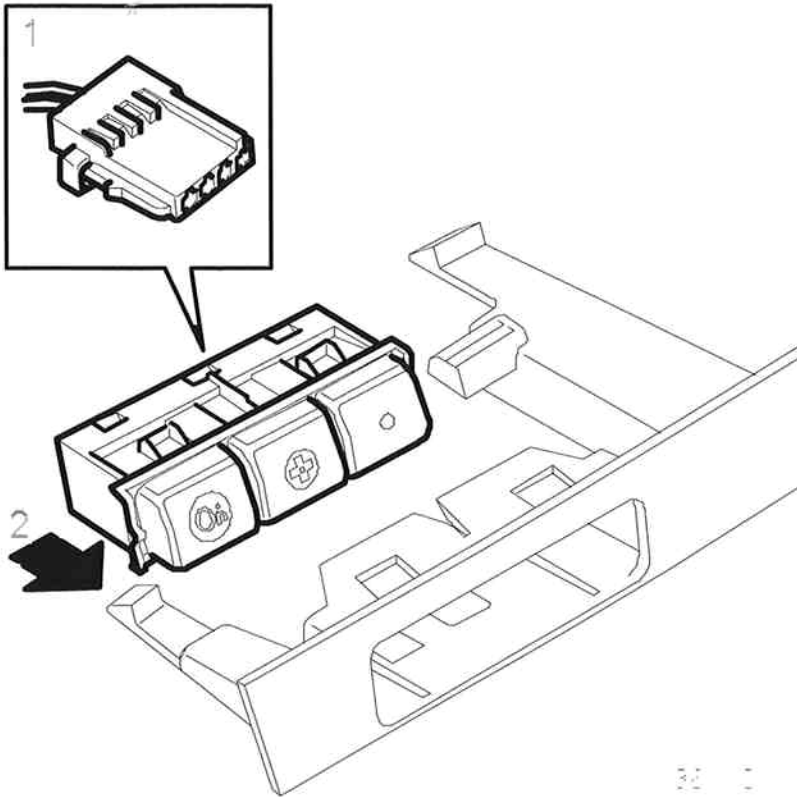


3. Unplug the OnStar-panel connector.

**To fit**

1.

Plug in the OnStar-panel connector



2. Fit the OnStar panel into place in the instrument panel. Check that all catches and guides are correctly positioned.
3. Fit the ACC/MCC unit.

